

IN2CONNECT



IN2CONNECT
ELECTRONIC CONNECTORS

SERIES 26 RACK & PANEL POWER CONNECTORS

'In 2 connecting people'



In2Connect UK Ltd
Unit L, Tyson Courtyard,
Weldon South Ind. Estate
Corby, Northants, NN18 8AZ

Phone +44 (0)1962 773004
sales@in2connect.uk.com

- Rugged construction
- 180° keyway or dowel polarised for blind mating
- Floating bushes to assist alignment when used in rear of card racks, etc.
- Excellent current carrying on 'self-wiping' contacts.
- Solder eyed contacts for cable mounting
- Available in 3 sizes:
 - 8 way – keyway polarised
 - 16 & 24 way – dowel polarised

These connectors are similar in "form and function" to ITW McMurdo Red Range connectors, but not "fit", as their mounting plates are larger and the connector mouldings will not intermate with the Red Range

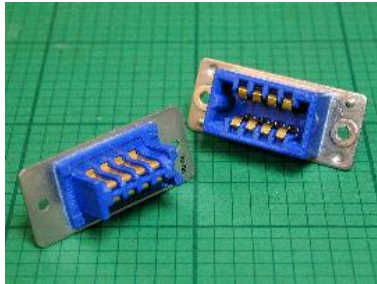


RACK & PANEL CONNECTORS

FEATURES

This cost efficient range of rack and panel connectors, are capable of handling 5 Amps per contact (all contacts simultaneously) at 100°C ambient and 750 V rms. The moulded high impact DAP insulator will withstand -50° to 125° C. Rugged and heavy duty they are superb in industrial/commercial equipment like bank ATM, vending and office machines, gaming equipment, mobile radios, TV cameras and industrial control applications where larger gauge wires of up to 16AWG are required. The strong, low insertion force, self-wiping contacts are designed such that the plug and socket will self-align, making them ideal as power edge card connectors for inaccessible applications such as the rear of sliding trays and panels, on cable ends or even as battery connections in hand held measuring instruments. They have been specifically designed to prevent misalignment and damaged contacts in such 'blind' matings.

They are available in 8, 16 and 24 way configurations with 180° keyway polarisation (8 way) or dowel pin and floating bushes on the receptacle (16 and 24 way) to prevent mismating. The contacts are gold-plated over nickel with solder eyelet tails. A make and break cycle of at least 500 (max. cycle dependant on mode of operation) makes them highly reliable. With an estimated 25 year service life in the mated condition they offer a very low life-cycle cost in electronic power transfer applications.



TECHNICAL

Materials

Insulator: DAP (Diallylphthalate)

Contacts:

Socket – Gold over nickel-plated Phosphor Bronze
Plug – Gold over nickel-plated Brass

Mounting plates: Passivated Stainless Steel
Latching bushes: Bright nickel-plated Brass
Dowels: Nickel-plated Aluminium

Mechanical

Mechanical operations: 500 min. to upper figure dependant upon mode of usage.

Insertion forces:

8 way – 3.7kgs max.
24 way – 11.0 kgs max.

Withdrawal forces:

8 way – 150 gms min.
24 way – 450 gms min.

Climatic -50° to 125°C

Electrical

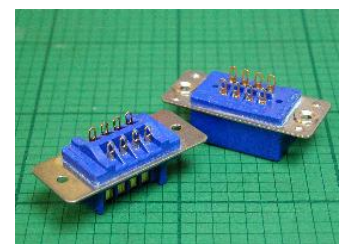
Current: (All contacts simultaneously) 5 Amp max.

Working voltage: 750 V rms

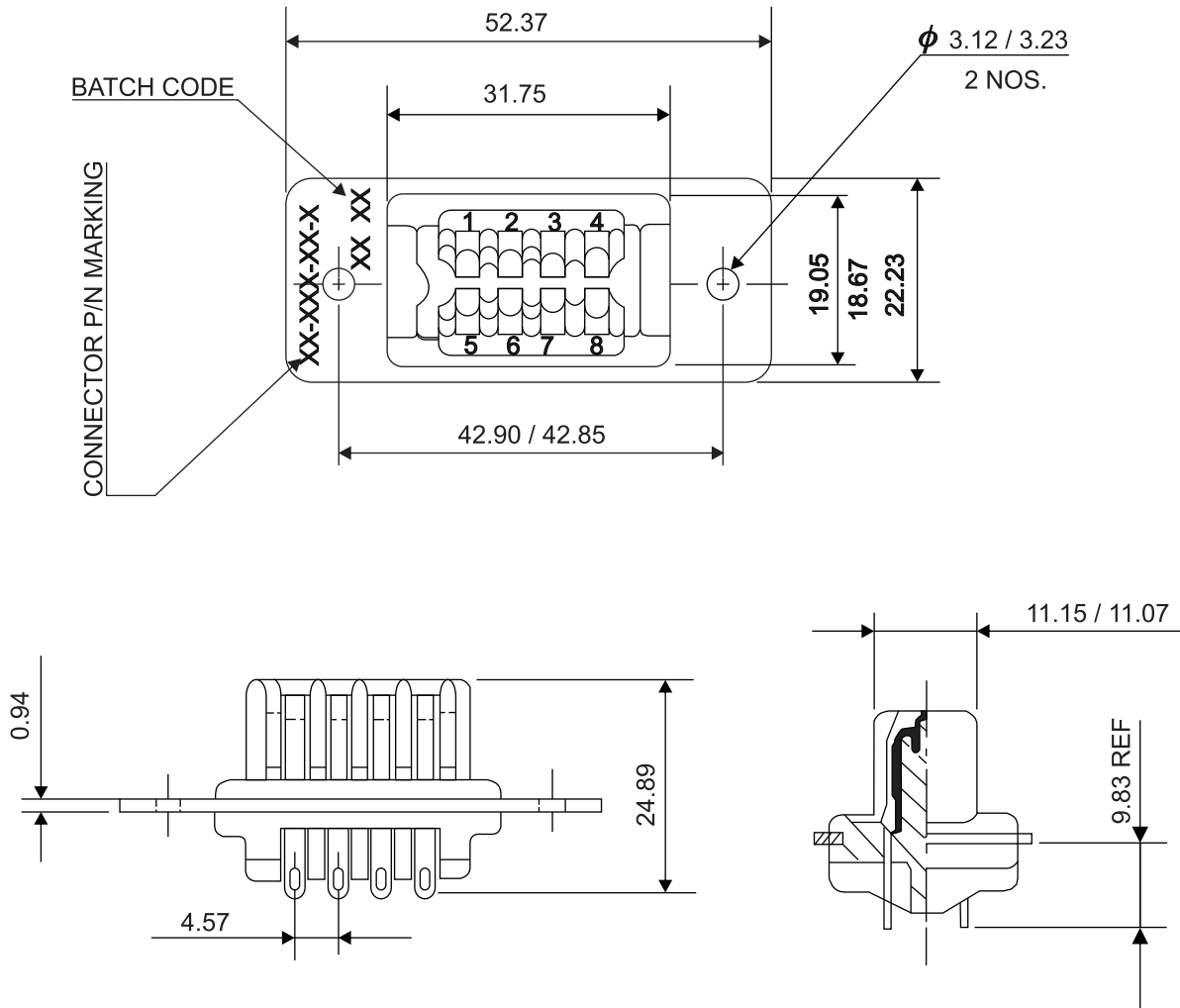
Proof voltage: 1200 V rms

Contact Resistance: 11 milliohms max.

Insulation Resistance: 5000 Megohms min.



8 Pin Plug

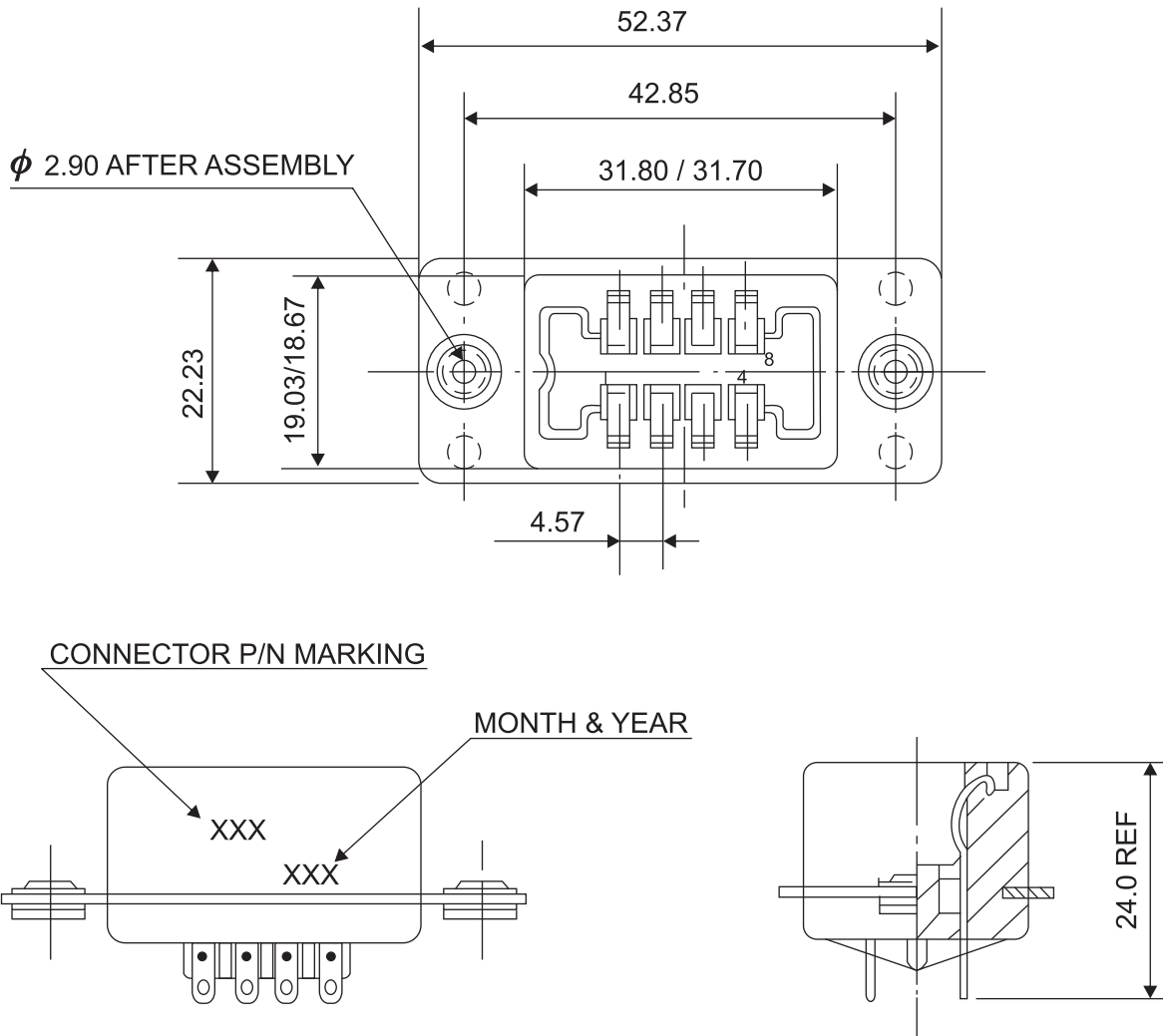


PART NO. DETAILS

SL. NO.	CONNECTOR P/N	NO. OF CONT.	TERMINATION TYPE	CONTACT FINISH	LEVEL
1	26-182	8	SOLDER	GOLD PLATE OVER NICKEL	1
2	26-08P-004	8	SOLDER	GOLD PLATE OVER NICKEL	3
3	26-08P-99	8	SOLDER	SILVER PL. & TIN LEAD SOLDER DIP ON TERMINATION	-

Note: All dimensions are in mm

8 Pin Receptacle

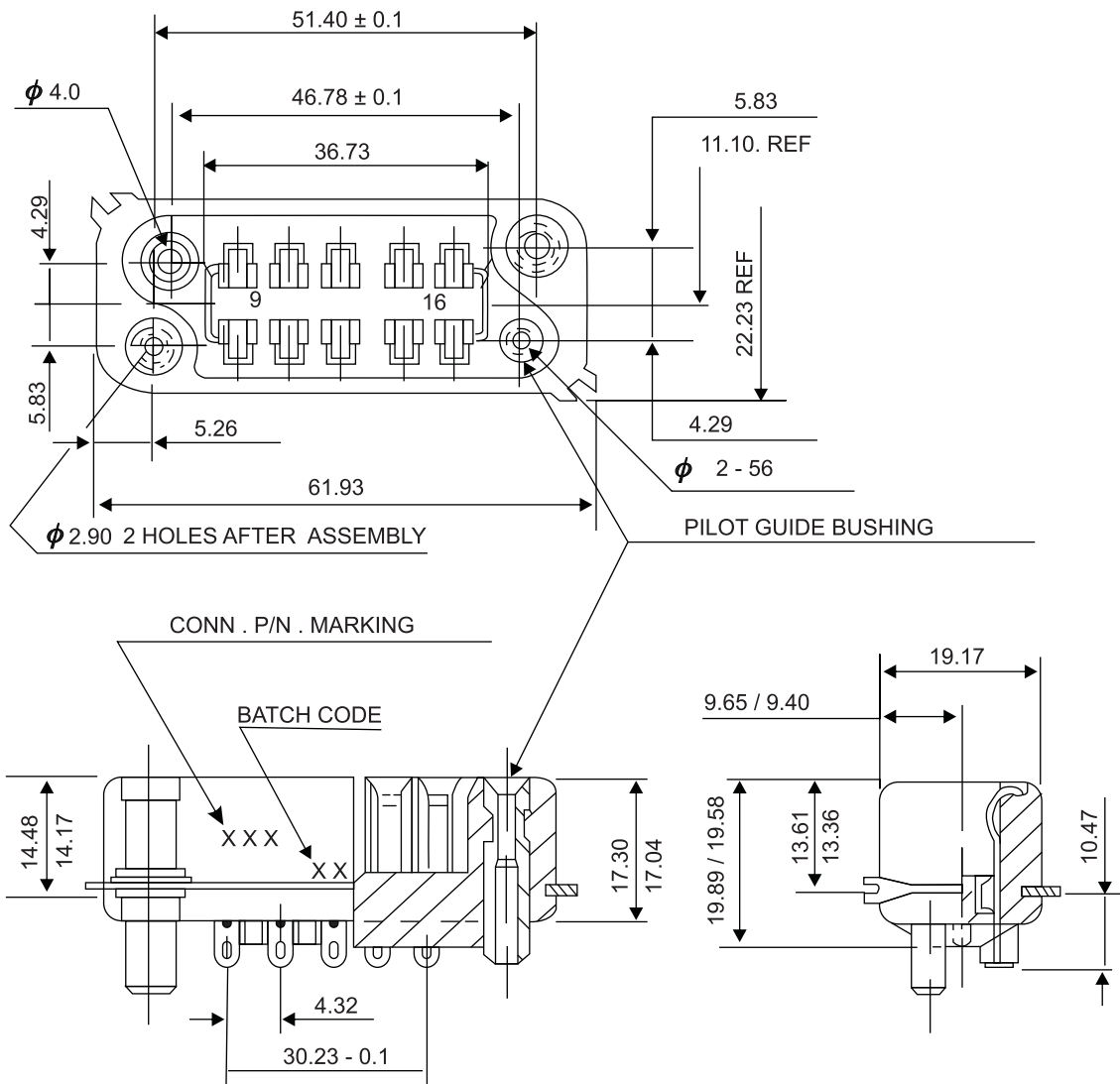


PART NO. DETAILS

SL. NO.	CONNECTOR P/N	NO. OF CONT.	TERMINATION TYPE	CONTACT FINISH	LEVEL
1	26-183	8	SOLDER	GOLD PLATE OVER NICKEL	1
2	26-08S-004	8	SOLDER	GOLD PLATE OVER NICKEL	3
3	26-08S-99	8	SOLDER	SILVER PL. & TIN LEAD SOLDER DIP ON TERMINATION	-

Note: All dimensions are in mm

16 Pin Receptacle

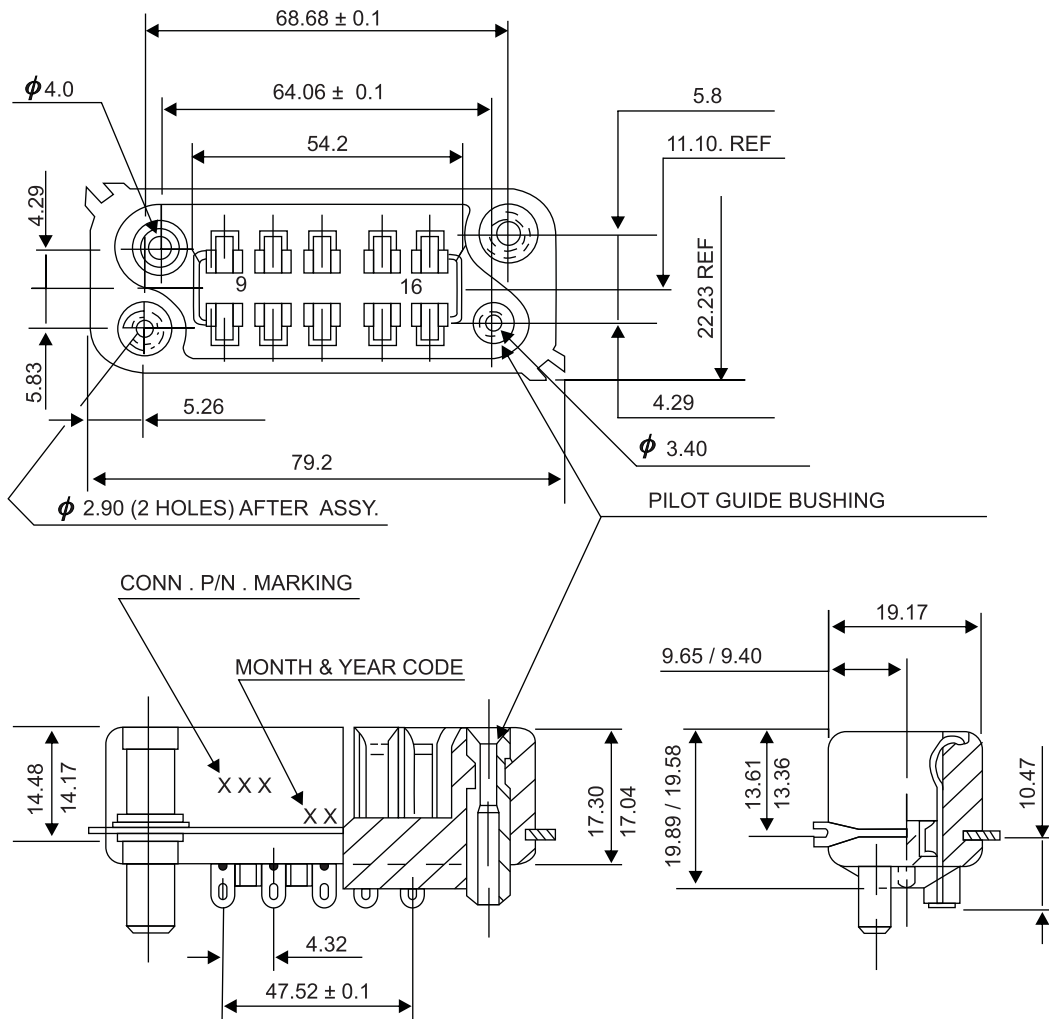


PART NO. DETAILS

SL. NO.	CONNECTOR P/N	NO. OF CONT.	TERMINATION TYPE	CONTACT FINISH	LEVEL
1	26 - 190 - 16	16	SOLDER	GOLD PLATE OVER NICKEL	1
2	26 - 16S - 004	16	SOLDER	--- DO ---	3
3	26 - 16S - 99	16	SOLDER	MATING : SILVER TERMINATION : TIN LEAD SOLDER DIPOVER SILVER	-

Note: All dimensions are in mm

24 Pin Receptacle



PART NO. DETAILS

SL. NO.	CONNECTOR P/N	NO. OF CONT.	TERMINATION TYPE	CONTACT FINISH	LEVEL
1	26-190-24S	24	SOLDER	GOLD PLATE OVER NICKEL	1
2	26-24S-004	24	SOLDER	GOLD PLATE OVER NICKEL	3
3	26-24S-99	24	SOLDER	SILVER PL. & TIN LEAD SOLDER DIP ON TERMINATION	-