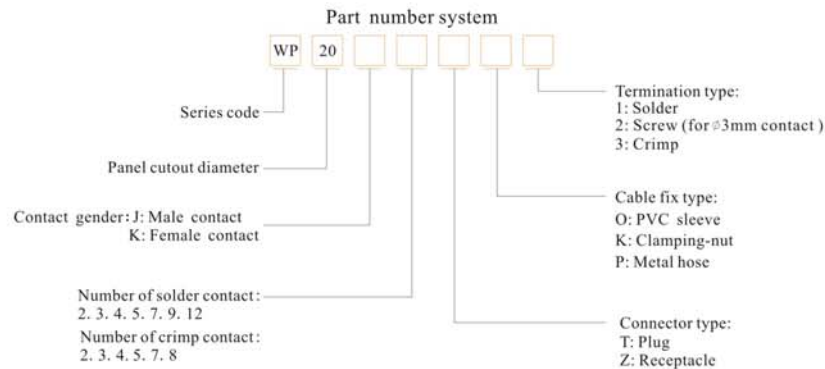




● WP Series



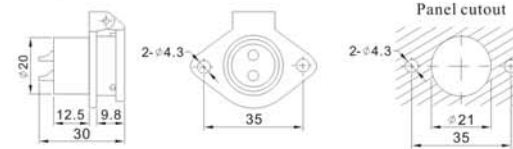
★ Each side can be male or female contact

Material and spec

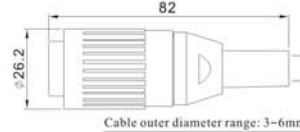
Coupling	Bayonet
Shell	Nylon 66 / Zinc alloy
Insert material	PPS, max temperature 260 °C
Contact material	Brass with gold plating
Termination	Solder ($\phi 1$, $\phi 2$, $\phi 3$ mm contact) Screw ($\phi 3$ mm contact) Crimp ($\phi 1$, $\phi 1.5$, $\phi 2.5$ mm contact)
Mating cycle	500
Temperature range	-40°C ~ +85°C



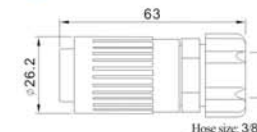
● Receptacle: Z IP44



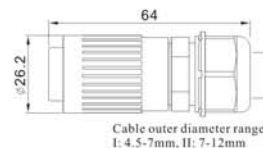
● PVC sleeve : TO



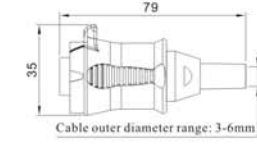
● Metal hose: TP



● Plastic clamping-nut: TK IP55



● Without bayonet: TO-G



In2Connect UK Ltd
Unit L, Tyson Courtyard
Weldon South Industrial Estate
Corby
Northants
NN18 8AZ UK
Tel: 01962 773004
sales@in2connect.uk.com

Solder contact spec

★ Crimp contact spec see page 77-80

Number of contact	2	3	4	5	5B	5C	7	9	12
Male contact face view									
Rated current (A)	30	30	30	30	30 5	15	15	5	5
Contact diameter(mm)	3	3	3	3	$\phi 3 \times 2$ $\phi 1 \times 3$	2	2	1	1
Rated voltage (AC.V)	500	500	500	500	500	500	500	500	400
Test voltage(AC.V) 1 min	1500	1500	1500	1500	1500	1500	1500	1500	1200
Contact resistance (m Ω)	1	1	1	1	1 5	2.5	2.5	5	5
Termination	solder / screw	solder / screw	solder / screw	solder / screw	solder	solder	solder	solder	solder
Wire size for solder (mm ² / AWG)	$\leq 4/11$	$\leq 4/11$	$\leq 4/11$	$\leq 4/11$	$\leq 4/11$ $\leq 0.785/18$	$\leq 2/14$	$\leq 2/14$	$\leq 0.785/18$	$\leq 0.785/18$
Wire size for screw termination (mm ² / AWG)	$\leq 1.5/15$	$\leq 1.5/15$	$\leq 1.5/15$	$\leq 1.5/15$	/	/	/	/	/