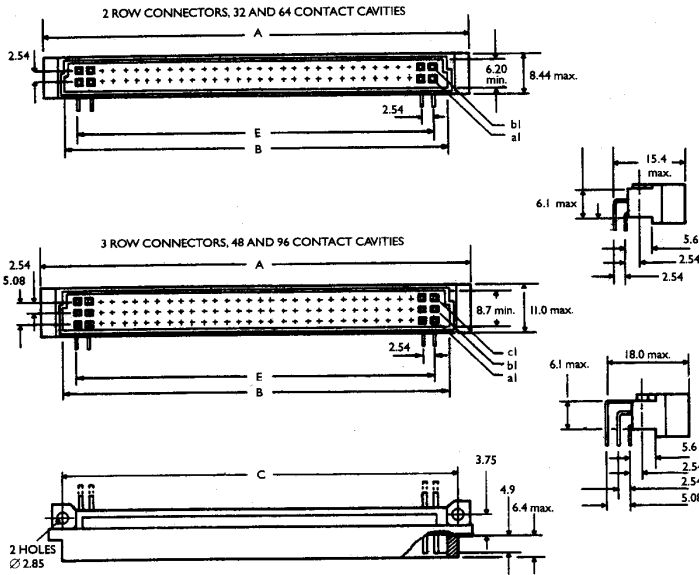




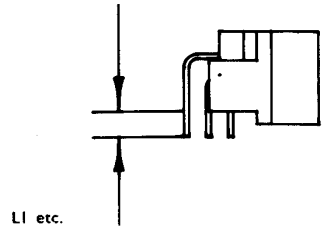
Outline Dimensions (Standard)

Free connector with male contacts



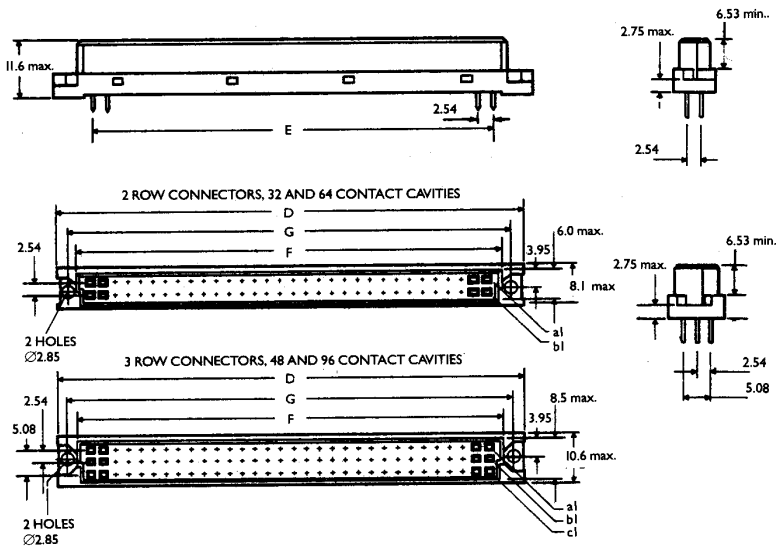
Male Termination

90° p.c.



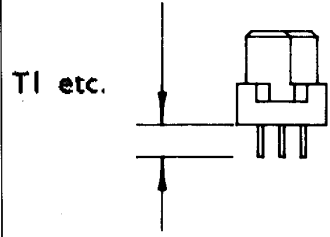
	.86/.76 diag.		.60/.50 diag.
L1	3.50/2.50	L4	3.50/2.50
L2	5.00/4.00	L5	5.00/4.00
L3	14.00/13.00	L6	11.00/10.00

Fixed connector with female contacts



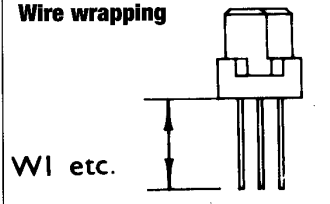
Female Termination

Straight p.c.



	.86/.76 diag.		.60/.50 diag.
T1	3.50/2.50	T4	5.00/4.00
T2	5.00/4.00	T5	11.00/10.00
T3	3.50/2.50	T7	6.85/5.85

Wire wrapping



	.86/.76 diag.		
W1	14.00/13.00	W2	18.00/17.00

Mould Size	A max.	B max.	C	D max.	E	E max.	G	H min	K	L
32 Cavity	53.98	44.65	48.26	54.86	38.10	44.27	50.00	44.40	8.30	10.20
48 Cavity	53.98	44.65	48.26	54.86	38.10	44.27	50.00	44.40	10.80	12.70
64 Cavity	93.98	85.30	88.90	94.87	78.74	84.86	90.00	85.00	8.30	10.20
96 Cavity	93.98	85.30	88.90	94.87	78.74	84.86	90.00	85.00	10.80	12.70

ORDERING INFORMATION - STANDARD

	SM	96	- 64	5	A	P	- L1	G	H	B5034	- 96	L1	A	5	1	P
BS STYLE _____																
SERIES/GENDER _____																
MOULD SIZE _____																
No. OF CONTACTS _____																
CONTACT LOADING _____																
CONTACT PITCH _____																
PRE-MATING CONTACTS _____																
TERMINATION STYLE _____																
CONTACT FINISH _____																
TERMINATION FINISH _____																

BS Style

B5034 - BS9525 F0004 Free male
 B5035 - BS9525 F0004 Fixed female

Series Gender

SM - Standard male
 SF - Standard female

Mould Size

32 - 2 rows of 16 (half B)
 64 - 2 rows of 32 (B)
 48 - 3 rows of 16 (half C)
 96 - 3 rows of 32 (C)

No. of Contacts

8, 16, 24, 32, 48, 64 & 96

Contact Loading

1 - Row a only
 2 - Row b only
 3 - Row c only
 4 - Rows a & b
 5 - Rows a & c
 6 - Rows b & c
 7 - Rows a, b & c
 8 - All rows (BS style)
 9 - Special loading

Contact Pitch

A - 2.54mm
 E - 5.08mm

Pre-Mating Contacts

N - None fitted
 No designator (BS styles) - None fitted
 P - Fitted positions a1 & a16 (32 & 48 mould size)
 Fitted positions a1 & a32 (64 & 96 mould size)

Termination

L1, L2, L3, L4, L5 & L6 - Male contacts
 T1, T2, T3, T4, T5, T7, W1, & W2 - Female contacts

Contact Finish

G - Class 1
 L - Class 2
 Q - Class 3

Termination Finish

H - Tinned
 1 - Tinned (BS styles)

ORDERING INFORMATION - REVERSE

	RIM	96	- 64	5	A	P	T1	G	H
SERIES/GENDER _____									
MOULD SIZE _____									
No. OF CONTACTS _____									
CONTACT LOADING _____									
CONTACT PITCH _____									
PRE-MATING CONTACTS _____									
TERMINATION STYLE _____									
CONTACT FINISH _____									
TERMINATION FINISH _____									

Series Gender

QIF - Reverse DIN 2 row female
 QIM - Reverse DIN 2 row male
 RIF - Reverse DIN 3 row female
 RIM - Reverse DIN 3 row male

Mould Size

64 - 2 rows of 32 (Q)
 96 - 3 rows of 32 (R)

No. of Contacts

16, 32, 48, 64 & 96

Contact Loading

1 - Row a only
 2 - Row b only
 3 - Row c only
 4 - Rows a & b
 5 - Rows a & c
 6 - Rows b & c
 7 - Rows a, b & c
 8 - Special loading

Contact Pitch

A - 2.54mm
 E - 5.08mm

Pre-Mating Contacts

N - None fitted
 P - Fitted positions a1 & a16 (32 & 48 mould size)
 Fitted positions a1 & a32 (64 & 96 mould size)

Termination

T1, T2, T5, T6, T8, W1, W2 - Male contacts
 L1, L2, L3, L4, L5, L6 - Female contacts

Contact Finish

G - Class 1
 L - Class 2
 Q - Class 3

Termination Finish

H - Tinned