

## Series 57

### MINIATURE VANDAL RESISTANT SEALED

This rugged miniature, momentary action, sealed switch series is ideal for a variety of applications in harsh environments where durability is key. It is panel sealed to IP67 and designed to be impact resistant.

### APPLICATIONS

- Military / Aerospace
- Process Controls
- Security Access Controls
- Medical Instrumentation
- Computers
- Transportation: Mass-transit, Marine, Lift Trucks, Personal and Recreational Vehicles, Rail



**IN2CONNECT**  
ELECTRONIC CONNECTORS



ACTUAL SIZE

### KEY FEATURES:

- Panel sealed to IP67
- Momentary action
- Impact resistant
- Non-spark material
- Lighted and non-lighted versions
- Wide temperature range: -40°C to +125°C
- Gold Plated Palladium Nickel contacts

### ORDERING INFORMATION:

Part Number	Lighted	LED Color
<b>57-111</b>	No	—
<b>57-112B</b>	Yes	Blue
<b>57-112G</b>	Yes	Green
<b>57-112R</b>	Yes	Red

In2Connect UK Ltd

Unit L, Tyson Courtyard

Weldon South Industrial Estate

Corby

Northants

NN18 8AZ UK

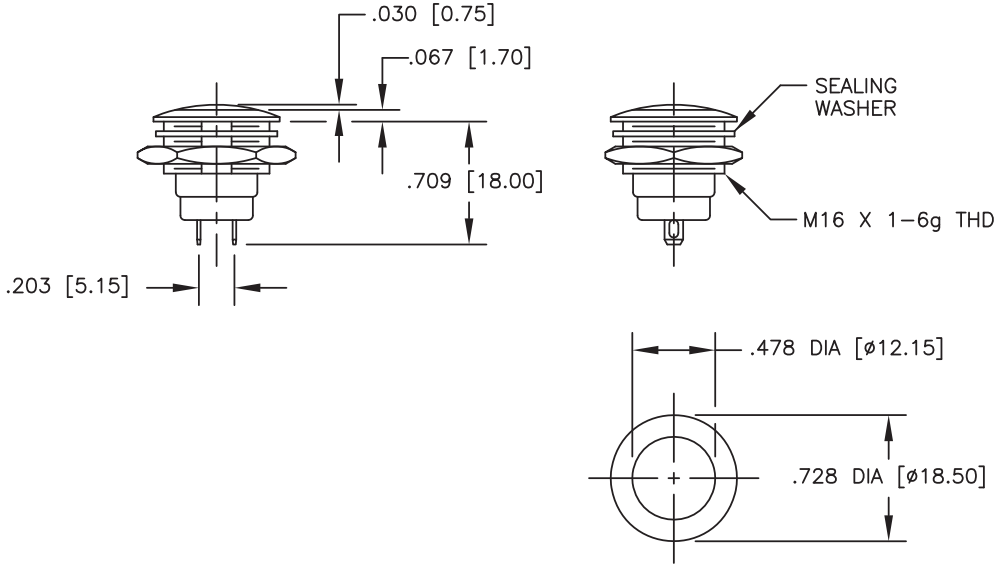
Tel: 01962 773004

sales@in2connect.uk.com

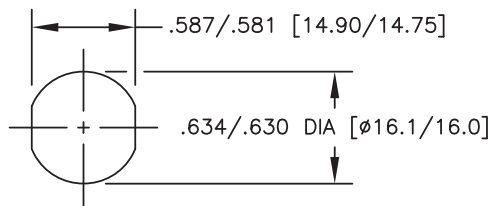
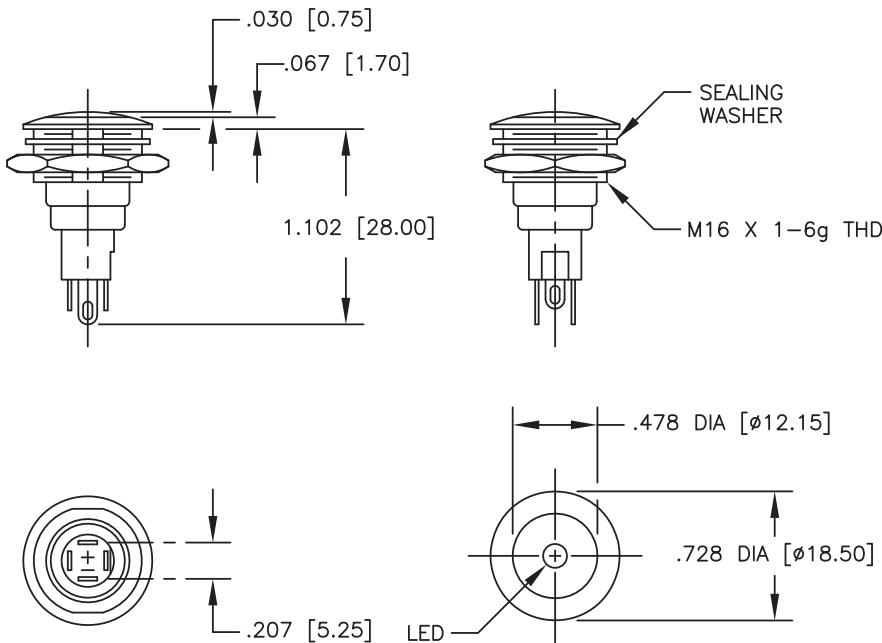
### STANDARDS / AGENCY / RATINGS:



**NON-LIGHTED**



**LIGHTED**



**MECHANICAL / ELECTRICAL CHARACTERISTICS:**

- Travel (nom):**  
0.09 inches / 2.3 mm
- Life (nominal):**  
1,000,000 cycles (mechanical)  
500,000 cycles (electrical)
- Operating force (nom):**  
3N / 306 grams
- Contact bounce (nom):**  
1 millisecond
- Panel thickness (max):**  
0.118 inches / 3.0 mm
- Contact resistance initial:**  
50 mΩ (Max)
- Current Rating (typical):**  
400mA at 32 VAC resistive  
100mA at 50 VDC resistive  
125mA at 125 VAC resistive
- Switching power (max):**  
16VA AC
- Shock:**  
100g
- Body and button material:**  
Velour chrome plated  
zinc alloy
- Terminals:**  
gold plated brass
- Soldering information:**  
608°F (320°C) max for 3s