



- **FEATURES:**
- .150" (3.81mm) Contact Spacing x .200" (5.08mm) Row Spacing
- Accepts .062" (1.57mm) Nominal Thickness P.C. Board
- High Profile Insulator Body, .600" (15.24mm)
- Contact Termination Options include P.C. Tail, Wire Wrap and Extender Board Bends
- Single or Dual Row Configurations
- Variety of Mounting Options
- Accepts In-Contact Polarizing Keys
- RoHS Compliant & UL Recognized



Specifications:

| | |
|------------------------------|--|
| Insulator Material | UL 94V-0 Thermoplastic Polyester, Black Color |
| Contact Material | Copper Alloy |
| Contact Plating | Gold Plating on mating area and Tin Plating on tails with Nickel underplating all over |
| Current Rating | 3 Ampere |
| Contact Resistance | 10 milliohms maximum |
| Dielectric Withstand Voltage | 1800 VAC rms at sea level between adjacent contacts |
| Insulation Resistance | 5000 Megohms minimum |
| Operating Temperature | -40°C to +105°C |
| Insertion Force | 16oz (4.45N) maximum per contact pair when tested with .070" (1.78mm) thick gauge |
| Withdrawal Force | 1oz (0.28N) minimum per contact pair when tested with .054" (1.37mm) thick gauge |

Example Part Number: **379-040-520-208**

Series: 379

Series _____
 Total Number of Contacts _____
 Contact Code _____
 Contact Rows _____
 Mounting Options _____

| Contact Code | Description & Tail Size | Tail Length "G" |
|--------------|---|-----------------|
| 520 | P.C. Tail .030 x .018 (0.76 x 0.46) | .175 (4.45) |
| 521 | P.C. Tail .025 Square (0.64 Square) | .150 (3.81) |
| 523 | P.C. Tail .025 Square (0.64 Square) | .390 (9.91) |
| 524 | P.C. Tail .018 Square (0.46 Square) | .175 (4.45) |
| 540 | Wire Wrap .025 Square (0.64 Square) | .560 (14.22) |
| 541 | Wire Wrap .025 Square (0.64 Square) | .750 (19.05) |
| 542 | Wire Wrap .025 Square (0.64 Square) | .645 (16.38) |
| 544 | Wire Wrap .050 x .025 (1.27 x 0.64) | .750 (19.05) |
| 555 | EXTENDER BOARD BEND (CODE 500 CONTACTS) | |
| 556 | EXTENDER BOARD BEND (CODE 520 CONTACTS) | |
| 560 | EXTENDER BOARD BEND (CODE 523 CONTACTS) | |

Total Number of Contacts: 006, 016, 020, 026 or 32
 012, 032, 040, 052 or 064

Contact Rows: Single Row
 Dual Row

| Mounting Options: | Description |
|-------------------|--|
| 01 | No Mounting Lug |
| 02 | Ø.128" (Ø3.25mm) Mounting Holes |
| 03 | Ø.116" (Ø2.95mm) I.D. Floating Eyelets |
| 04 | Ø.156" (Ø3.96mm) Mounting Holes |
| 07 | M3-0.5 Metric Threaded Inserts |
| 08 | #4-40 Unified Threaded Inserts |

Ordering Code Notes:

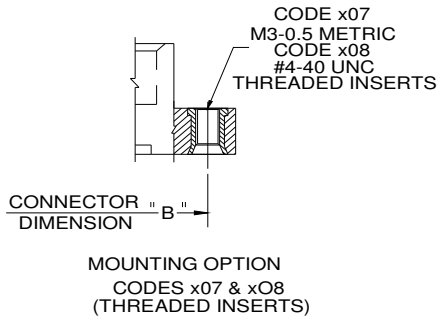
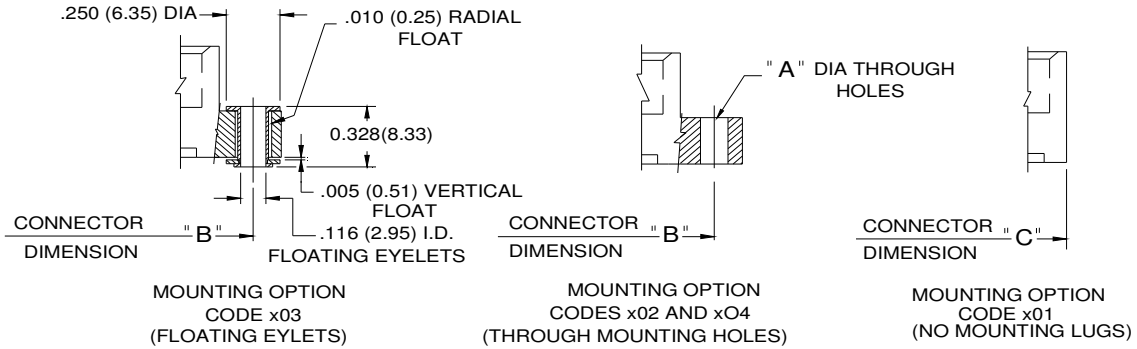
Consult with EDAC regarding 90 degree bend availability.

In2Connect UK Ltd
 Home Farm
 Petersfield Rd
 Ropley
 Alresford
 Hampshire
 SO24 0EF
 UK

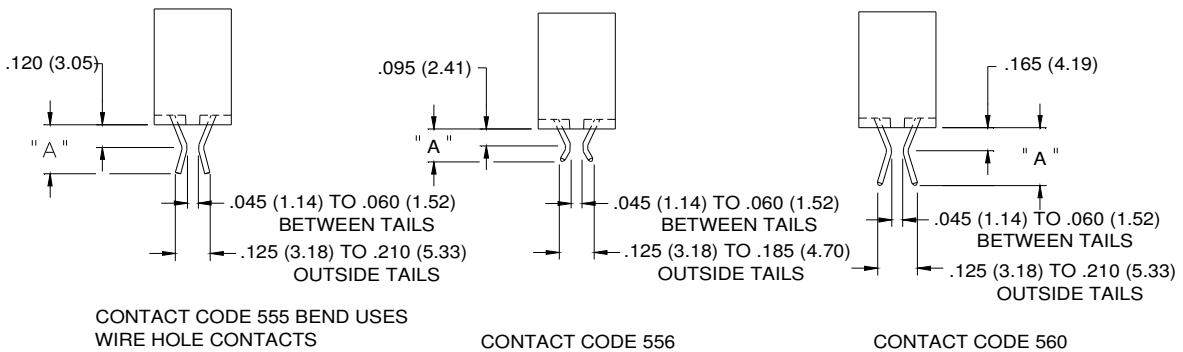
Tel: UK 01962 773004 | Fax: UK 01962 600034

www.in2connect.uk.com

Skype Name "In2Connect" | sales@in2connect.uk.com

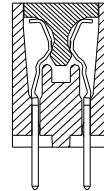


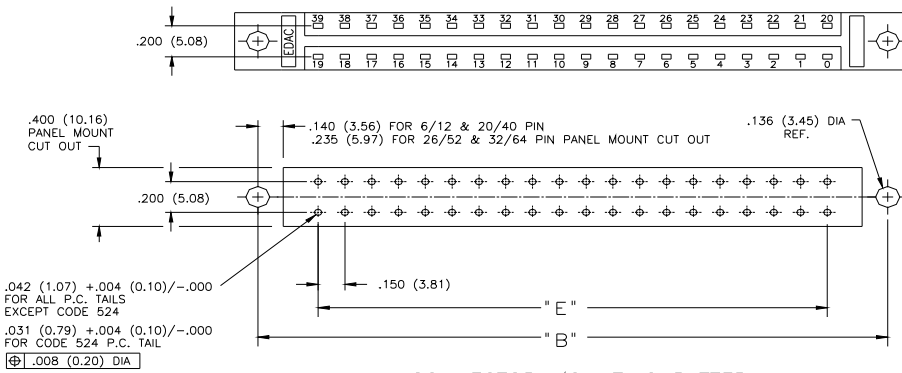
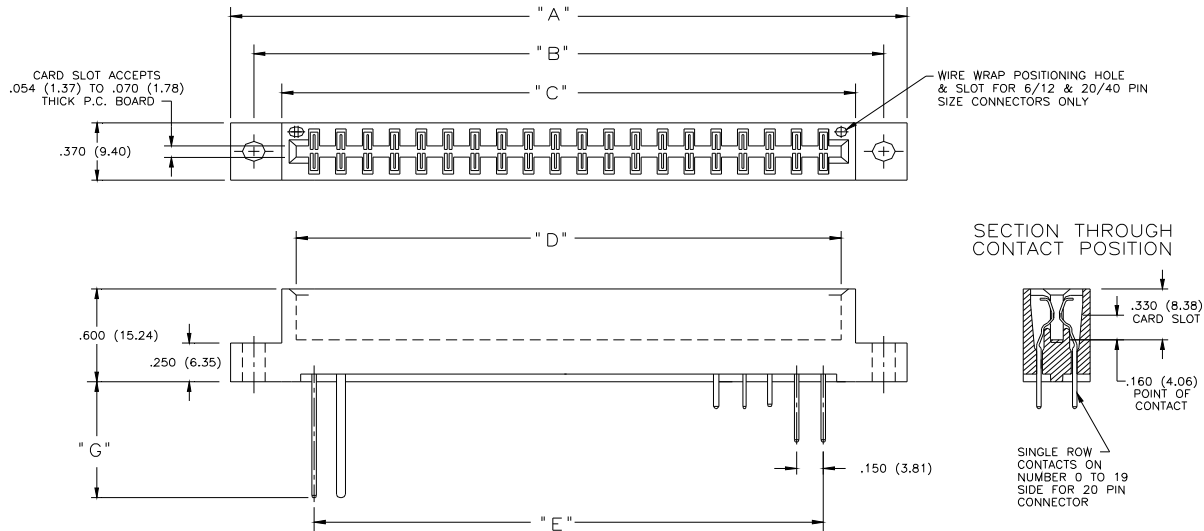
| CODE X02 AND X04- THROUGH MTG. HOLES | | |
|--------------------------------------|----------------|-------------|
| | CODE X02 | CODE X04 |
| "A" DIA. | 0.128(3.25) | 0.156(3.96) |
| CODE X07 AND X08- THREADED INSERTS | | |
| | CODE X07 | CODE X08 |
| INSERT | M3-0.5(METRIC) | #4-40 UNC |



| MTG. OPTION | A | B |
|-------------|-------------|---|
| 555 | 0.245(6.22) | |
| 556 | 0.170(4.32) | |
| 560 | 0.375(9.53) | |

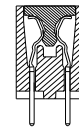
IN-CONTACT POLARIZING KEY
P/N 345-240-328



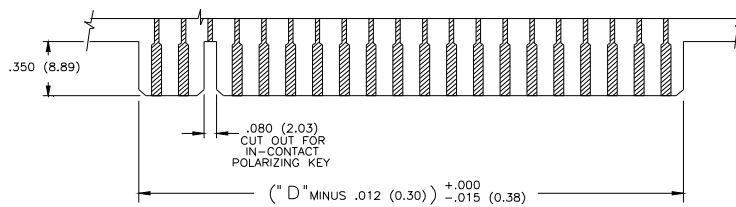


CONNECTOR MOUNTING PATTERN

IN-CONTACT POLARIZING KEY
P/N 345-240-328



CONSULT WITH EDAC REGARDING CONNECTORS WITH BETWEEN CONTACT POLARIZING KEY MOULDED INTO POSITION.



RECOMMENDED DAUGHTER BOARD

| NUMBER OF CONTACTS | | "A" | | "B" | | "C" | | "D" | | "E" | |
|--------------------|--------|-------|--------|-------|--------|-------|--------|-------|--------|-------|--------|
| Single | Double | Inch | mm | Inch | mm | Inch | mm | Inch | mm | Inch | mm |
| 6 | 12 | 1.775 | 45.09 | 1.510 | 38.35 | 1.200 | 30.48 | 1.040 | 26.42 | 0.750 | 19.05 |
| 20 | 40 | 3.875 | 98.43 | 3.610 | 91.69 | 3.300 | 83.82 | 3.140 | 79.76 | 2.850 | 72.39 |
| 26 | 52 | 4.905 | 124.59 | 4.640 | 117.86 | 4.135 | 105.03 | 3.990 | 101.35 | 3.750 | 95.25 |
| 32 | 64 | 5.805 | 147.45 | 5.540 | 140.72 | 5.035 | 127.89 | 4.890 | 124.21 | 4.650 | 118.11 |