

## SECTION 6

# POWER CONNECTORS

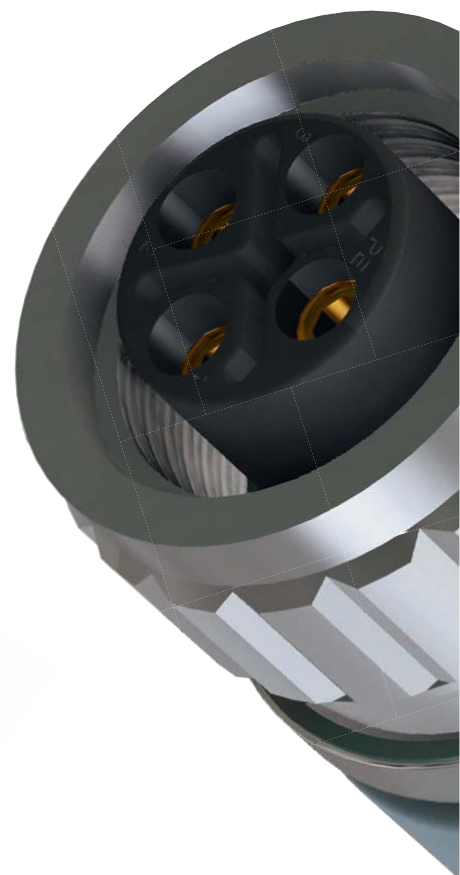
---

In2Connect UK Ltd  
Home Farm  
Petersfield Rd  
Ropley  
Alresford  
Hampshire  
SO24 0EF  
UK

Tel: UK 01962 773004 | Fax: UK 01962 600034

[www.in2connect.uk.com](http://www.in2connect.uk.com)

Skype Name "In2Connect" | [sales@in2connect.uk.com](mailto:sales@in2connect.uk.com)





# SAL M12x1 POWER CONNECTORS OVERMOULDED

## Nomenclature

S A L - 1 2 T - R K 4 - 3 / A 2

**SAL**  
Sensor Actor Line

**Installation size**  
12 = M12x1

**Coding**  
SC = S-coding, shielded  
T = T-coding

**Design**  
R = Circular connector

**Gender**  
K = Female connector  
S = Male connector

**Configuration**  
= Axial

**Number of poles**  
3 = 3-pos.  
4 = 4-pos.  
2PE = 2-pos. + PE  
3PE = 3-pos. + PE

**Cable length**  
XX = Length [m]

**Cable quality**  
A2 = PVC, black  
K1 = TPU, black, highflexible, halogenfree, UL  
GOA = PVC, shielded, orange, UL  
GOB = TPU, shielded, orange, UL

# SAL M12x1 POWER CONNECTORS OVERMOULDED

## Product specification

<b>Basic material</b>	
Contact	CuZn
Contact plating	Nickel plated, gold plated
Contact carrier	PA6, UL94
Overmould	TPU, UL94, grey
Sealing	FPM
Coupling nut/-screw	GD-Zn, Ni
Shield sleeve	CuZn, Ni

<b>Technical Data</b>	<b>Norm</b>
-----------------------	-------------

Information on the following pages are basing on below mentioned IEC-standards.

Rated voltage	IEC 61076-2-111
Current rating	IEC 61076-2-111
Insulation resistance	IEC 60512
Degree of pollution	IEC 60664-1
Degree of protection	IEC 60529
Mating cycles	IEC 60512-9A

Recommended torque: 0.6 Nm

Technical subject to change without notice.

# SAL M12x1 POWER SOCKETS

## Nomenclature

S A L - 1 2 T - F K 4 - 0,5

**SAL**  
Sensor Actor Line

**Installation size**  
12 = M12x1

**Coding**  
SC = S-coding  
T = T-coding

**Design**  
F = Socket connector

**Gender**  
K = Female connector  
S = Male connector

**Mounting**  
= Front panel mounting  
H = Back panel mounting  
VO = Square flange with sealing

**Number of poles**  
3 = 3-pos.  
4 = 4-pos.  
2PE = 2-pos. + PE  
3PE = 3-pos. + PE

**Type of termination**  
XX = Wire length [m]

# SAL M12x1 POWER SOCKETS

## Product specification

<b>Basic material</b>	
Contact	CuZn
Contact plating	Nickel plated, gold plated
Contact carrier	PA6, UL94
Sealing	FPM
Socket housing	CuZn, Ni
Counter nut	CuZn, Ni
Sealing compound	Polyurethan-Harz, UL94

<b>Technical Data</b>	<b>Norm</b>
Information on the following pages are basing on below mentioned IEC-standards.	
Rated voltage	IEC 61076-2-111
Current rating	IEC 61076-2-111
Insulation resistance	IEC 60512
Degree of pollution	IEC 60664-1
Degree of protection	IEC 60529
Mating cycles	IEC 60512-9A

Recommended torque: 0.6 Nm

Technical subject to change without notice.

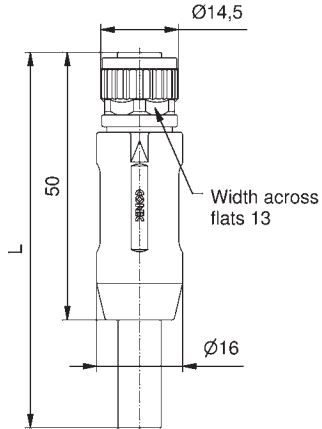
# M12x1 POWER CONNECTORS OVERMOULDED T-coding

## Female connector axial

PVC, black, LiYY

Contact assignment

Number of poles	Coding	Rated voltage [V]	Current rating [A]	Cable length = L [m]	Wire cross section [mm <sup>2</sup> ]	Description	Part No.
3	T	63	12	1,5	2	SAL-12T-RK3-2/A2	43-19044
					3	SAL-12T-RK3-3/A2	43-19045
					5	SAL-12T-RK3-5/A2	43-19046
					10	SAL-12T-RK3-10/A2	43-19047
4	T	63	12	1,5	2	SAL-12T-RK4-2/A2	43-17132
					3	SAL-12T-RK4-3/A2	43-17133
					5	SAL-12T-RK4-5/A2	43-17134
					10	SAL-12T-RK4-10/A2	43-17135

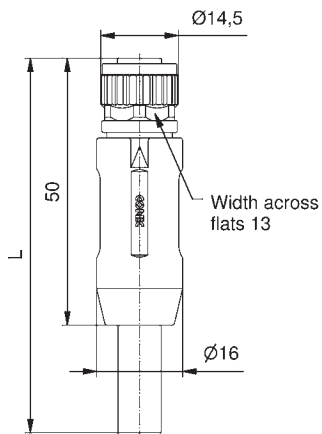


Pin 1 ■  
Pin 3 ■  
Pin 4 ■

Pin 1 ■  
Pin 2 ■  
Pin 3 ■  
Pin 4 ■

TPU, black, Li9Y11Y

3	T	63	12	1,5	2	SAL-12T-RK3-2/K1	43-19083
					3	SAL-12T-RK3-3/K1	43-19084
					5	SAL-12T-RK3-5/K1	43-19085
					10	SAL-12T-RK3-10/K1	43-19086
4	T	63	12	1,5	2	SAL-12T-RK4-2/K1	43-17582
					3	SAL-12T-RK4-3/K1	43-17922
					5	SAL-12T-RK4-5/K1	43-17923
					10	SAL-12T-RK4-10/K1	43-17924



Pin 1 ■  
Pin 3 ■  
Pin 4 ■

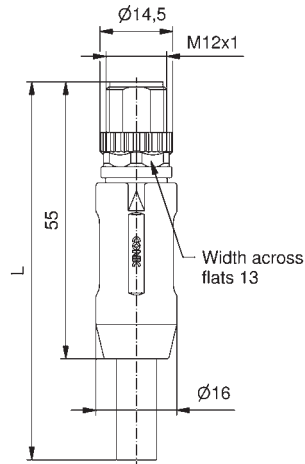
Pin 1 ■  
Pin 2 ■  
Pin 3 ■  
Pin 4 ■

# M12x1 POWER CONNECTORS OVERMOULDED T-coding

## Male connector axial

PVC, black, LiYY

Contact assignment

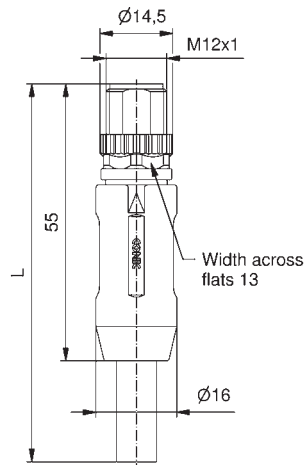


Pin 1 ■  
Pin 3 ■  
Pin 4 ■

Pin 1 ■  
Pin 2 ■  
Pin 3 ■  
Pin 4 ■

Number of poles	Coding	Rated voltage [V]	Current rating [A]	Cable length = L [m]	Wire cross section [mm <sup>2</sup> ]	Description	Part No.
3	T	63	12	1,5	2	SAL-12T-RS3-2/A2	43-19048
					3	SAL-12T-RS3-3/A2	43-19049
					5	SAL-12T-RS3-5/A2	43-19050
					10	SAL-12T-RS3-10/A2	43-19051
4	T	63	12	1,5	2	SAL-12T-RS4-2/A2	43-17140
					3	SAL-12T-RS4-3/A2	43-17141
					5	SAL-12T-RS4-5/A2	43-17142
					10	SAL-12T-RS4-10/A2	43-17143

TPU, black, Li9Y11Y



Pin 1 ■  
Pin 3 ■  
Pin 4 ■

Pin 1 ■  
Pin 2 ■  
Pin 3 ■  
Pin 4 ■

3	T	63	12	1,5	2	SAL-12T-RS3-2/K1	43-19087
					3	SAL-12T-RS3-3/K1	43-19088
					5	SAL-12T-RS3-5/K1	43-19089
					10	SAL-12T-RS3-10/K1	43-19090
4	T	63	12	1,5	2	SAL-12T-RS4-2/K1	43-17581
					3	SAL-12T-RS4-3/K1	43-17930
					5	SAL-12T-RS4-5/K1	43-17931
					10	SAL-12T-RS4-10/K1	43-17932

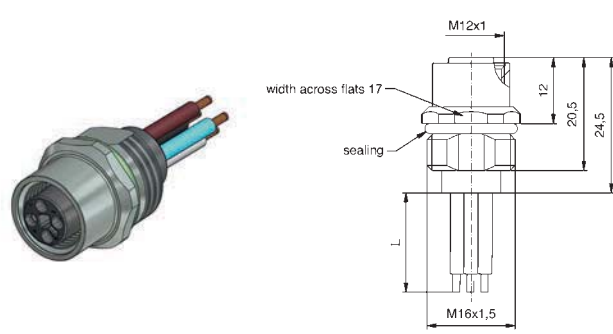


# M12x1 POWER SOCKETS

## T-coding

### Front panel mounting, wire termination

#### Female connector M16x1,5 thread



#### Contact assignment

- Pin 1 ■
- Pin 3 ■
- Pin 4 ■

Number of poles	Coding	Rated voltage [V]	Current rating [A]	Wire material	Wire cross section [AWG]	Wire length = L [m]
3	T	63	12	PVC	16	0,5
4	T	63	12	PVC	16	0,5

#### Description

#### Part No.

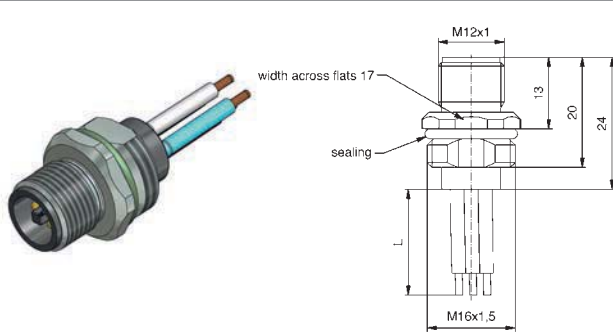
SAL-12T-FK3-0,5

43-02412

SAL-12T-FK4-0,5

43-02393

#### Male connector M16x1,5 thread



- Pin 1 ■
- Pin 3 ■
- Pin 4 ■

3	T	63	12	PVC	16	0,5
4	T	63	12	PVC	16	0,5

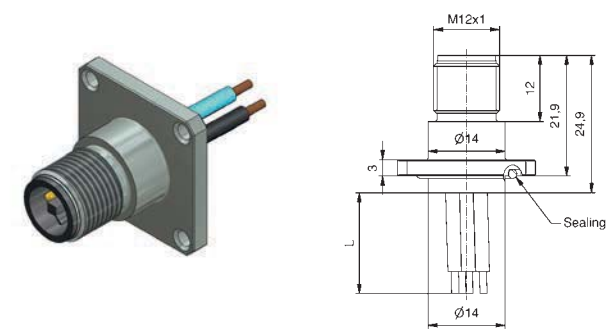
SAL-12T-FS3-0,5

43-02413

SAL-12T-FS4-0,5

43-02395

#### Male connector square flange 26 mm



- Pin 1 ■
- Pin 3 ■
- Pin 4 ■

3	T	63	12	PVC	16	0,5
4	T	63	12	PVC	16	0,5

SAL-12T-FSV03-0,5

43-02498

SAL-12T-FSV04-0,5

43-02499

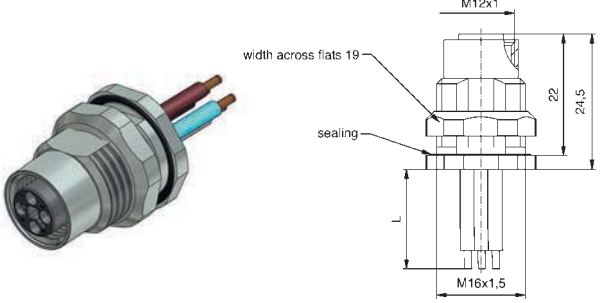
# M12x1 POWER SOCKETS

## T-coding

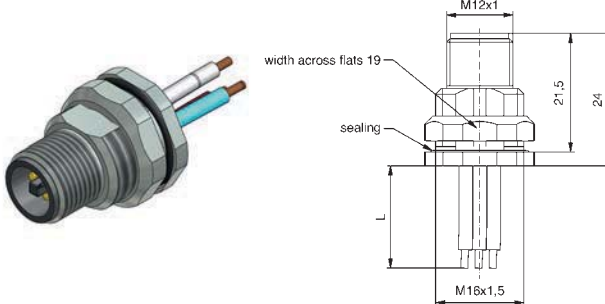
Back panel mounting, wire termination

### Female connector M16x1,5 thread

### Contact assignment

	Number of poles	Coding	Rated voltage [V]	Current rating [A]	Wire material	Wire cross section [mm <sup>2</sup> ]	Wire length = L [m]	Description	Part No.
	3	T	63	12	PVC	16	0,5	SAL-12T-FKH3-0,5	43-02416
	4	T	63	12	PVC	16	0,5	SAL-12T-FKH4-0,5	43-02397

### Male connector M16x1,5 thread

	3	T	63	12	PVC	16	0,5	SAL-12T-FSH3-0,5	43-02417
	4	T	63	12	PVC	16	0,5	SAL-12T-FSH4-0,5	43-02399

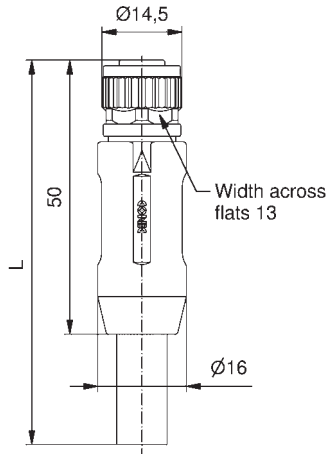
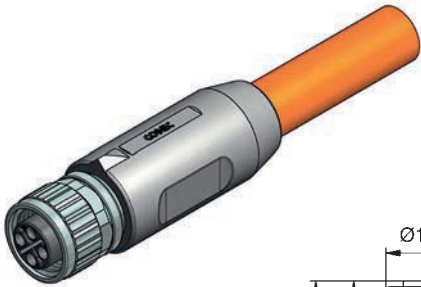
**M12x1 POWER CONNECTORS OVERMOULDED**  
360° shielding, S-coding

**Female connector axial**

PVC, UL 2570, orange, Li9YCY

Contact assignment

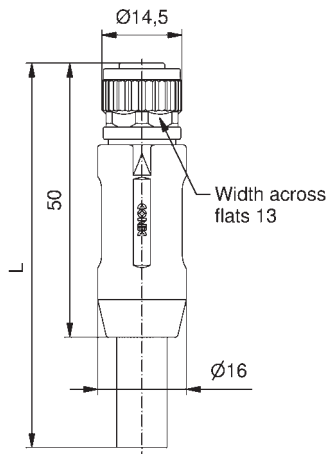
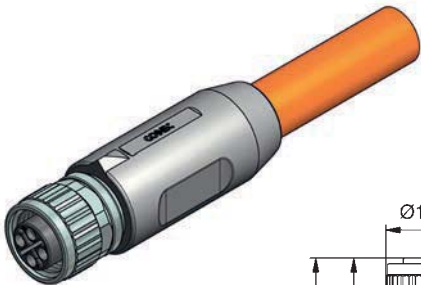
Number of poles	Coding	Rated voltage [V]	Current rating [A]	Cable length = L [m]	Wire cross section [mm <sup>2</sup> ]	Description	Part No.
2+PE	S	630	12	1,5	2	SAL-12SC-RK2PE-2/GOA	43-19052
					3	SAL-12SC-RK2PE-3/GOA	43-19053
					5	SAL-12SC-RK2PE-5/GOA	43-19054
					10	SAL-12SC-RK2PE-10/GOA	43-19055
3+PE	S	630	12	1,5	2	SAL-12SC-RK3PE-2/GOA	43-17116
					3	SAL-12SC-RK3PE-3/GOA	43-17117
					5	SAL-12SC-RK3PE-5/GOA	43-17118
					10	SAL-12SC-RK3PE-10/GOA	43-17119



Note: Voltage may be present only in mated condition.

TPU, UL 21223, orange, Li9YC11Y

2+PE	S	630	12	1,5	2	SAL-12SC-RK2PE-2/GOB	43-19079
					3	SAL-12SC-RK2PE-3/GOB	43-19080
					5	SAL-12SC-RK2PE-5/GOB	43-19081
					10	SAL-12SC-RK2PE-10/GOB	43-19082
3+PE	S	630	12	1,5	2	SAL-12SC-RK3PE-2/GOB	43-17913
					3	SAL-12SC-RK3PE-3/GOB	43-17914
					5	SAL-12SC-RK3PE-5/GOB	43-17915
					10	SAL-12SC-RK3PE-10/GOB	43-17916



Note: Voltage may be present only in mated condition.

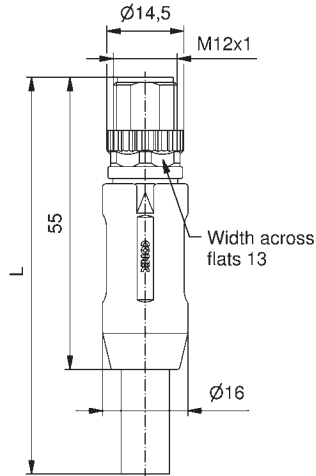
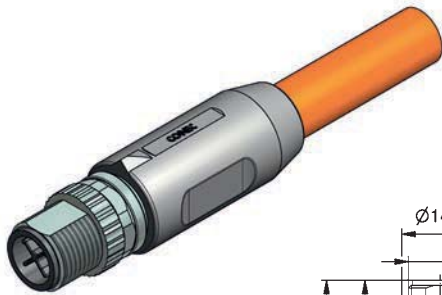
# M12x1 POWER CONNECTORS OVERMOULDED

## 360° shielding, S-coding

### Male connector axial

PVC, UL 2570, orange, Li9YCY

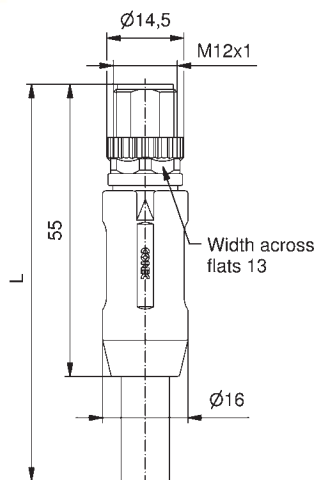
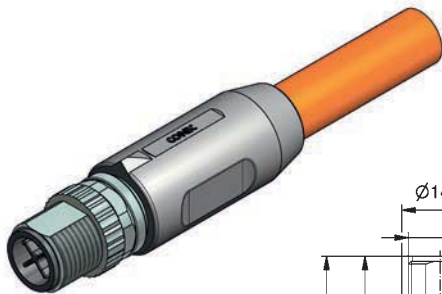
Contact assignment



Note: Voltage may be present only in mated condition.

Number of poles	Coding	Rated voltage [V]	Current rating [A]	Cable length = L [m]	Wire cross section [mm <sup>2</sup> ]	Description	Part No.
2+PE	S	630	12	2	1,5	SAL-12SC-RS2PE-2/GOA	43-19056
				3		SAL-12SC-RS2PE-3/GOA	43-19057
				5		SAL-12SC-RS2PE-5/GOA	43-19058
				10		SAL-12SC-RS2PE-10/GOA	43-19059
3+PE	S	630	12	2	1,5	SAL-12SC-RS3PE-2/GOA	43-17124
				3		SAL-12SC-RS3PE-3/GOA	43-17125
				5		SAL-12SC-RS3PE-5/GOA	43-17126
				10		SAL-12SC-RS3PE-10/GOA	43-17127

TPU, UL 21223, orange, Li9YC11Y



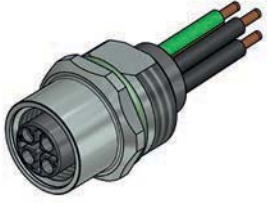
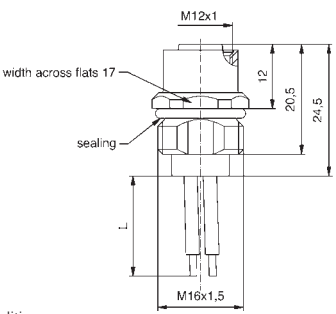







Note: Voltage may be present only in mated condition.

2+PE	S	630	12	2	1,5	SAL-12SC-RS2PE-2/GOB	43-19075
				3		SAL-12SC-RS2PE-3/GOB	43-19076
				5		SAL-12SC-RS2PE-5/GOB	43-19077
				10		SAL-12SC-RS2PE-10/GOB	43-19078
3+PE	S	630	12	2	1,5	SAL-12SC-RS3PE-2/GOB	43-17904
				3		SAL-12SC-RS3PE-3/GOB	43-17905
				5		SAL-12SC-RS3PE-5/GOB	43-17906
				10		SAL-12SC-RS3PE-10/GOB	43-17907


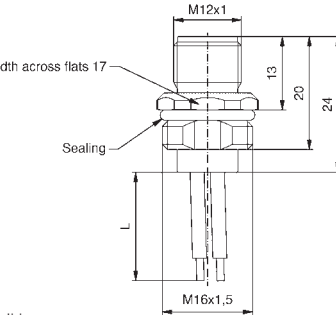







# M12x1 POWER SOCKETS S-coding

## Front panel mounting, wire termination


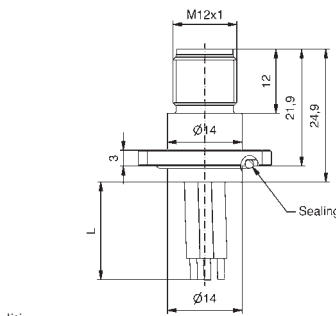







### Female connector M16x1,5 thread

		Contact assignment	Number of poles	Coding	Rated voltage [V]	Current rating [A]	Wire material	Wire cross section [AWG]	Wire length = L [m]	Description	Part No.
 Note: Voltage may be present only in mated condition.		Pin 1  Pin 3  PE 	2+PE	S	630	12	PVC	16	0,5	SAL-12SC-FK2PE-0,5	43-02410
		Pin 1  Pin 2  Pin 3  PE 	3+PE	S	630	12	PVC	16	0,5	SAL-12SC-FK3PE-0,5	43-02392

### Male connector M16x1,5 thread

 Note: Voltage may be present only in mated condition.		Pin 1  Pin 3  PE 	2+PE	S	630	12	PVC	16	0,5	SAL-12SC-FS2PE-0,5	43-02411
		Pin 1  Pin 2  Pin 3  PE 	3+PE	S	630	12	PVC	16	0,5	SAL-12SC-FS3PE-0,5	43-02394

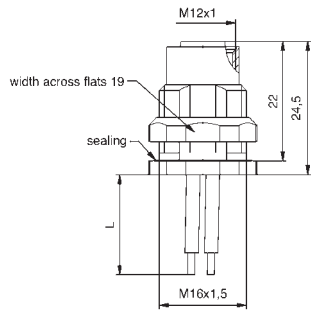
### Male connector square flange 26 mm

 Note: Voltage may be present only in mated condition.		Pin 1  Pin 3  PE 	2+PE	S	630	12	PVC	16	0,5	SAL-12SC-FSV02PE-0,5	43-02496
		Pin 1  Pin 2  Pin 3  PE 	3+PE	S	630	12	PVC	16	0,5	SAL-12SC-FSV03PE-0,5	43-02497

# M12x1 POWER SOCKETS S-coding

## Back panel mounting, wire termination

### Female connector M16x1,5 thread



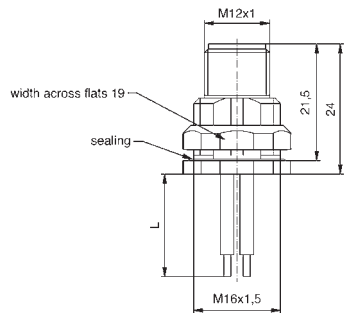
Note: Voltage may be present only in mated condition.

### Contact assignment

Pin 1   
Pin 3   
PE

Number of poles	Coding	Rated voltage [V]	Current rating [A]	Wire material	Wire cross section [AWG]	Wire length = L [m]	Description	Part No.
2+PE	S	630	12	PVC	16	0,5	SAL-12SC-FKH2PE-0,5	43-02414
3+PE	S	630	12	PVC	16	0,5	SAL-12SC-FKH3PE-0,5	43-02396

### Male connector M16x1,5 thread



Note: Voltage may be present only in mated condition.

Pin 1   
Pin 3   
PE

2+PE	S	630	12	PVC	16	0,5	SAL-12SC-FSH2PE-0,5	43-02415
3+PE	S	630	12	PVC	16	0,5	SAL-12SC-FSH3PE-0,5	43-02398