

Series 76-94

SERIES 76-94 – VANDAL RESISTANT PUSHBUTTON

The Series 76-94 has been designed to cover a wide range of harsh environmental applications. The range is available in 3 styles, pushbutton, rotary and panel lamp.

The pushbutton comes in 4 button styles with 3 colour options and has solder/faston terminals as standard. The rotary is a single pole, 2 position, snap action switch with green or red spot indicator on the black actuator. To complete the range an indicator version is available with red, green or amber lens.

The entire range is panel sealed to IP67 and due to the construction and the materials used, are all capable of surviving the impact of a 5kg mass dropped from 40cm (20J). All the bezels and the actuators of the push-buttons and rotaries are made from a non-sparking zinc alloy whilst the panel lamp lens is manufactured from polycarbonate, which maintains the specification of the range.

Non-standard options for the range include custom colours, PCB terminals, gold contacts and 2 pole variants.

The features of the Series makes it ideal for robust, potentially explosive environments.



APPLICATIONS:

- Military environments
- Robust industrial
- Vandal resistant requirements
- Mining industry
- Petrochemical
- Process control
- Material handling

In2Connect UK Ltd

Unit L, Tyson Courtyard

Weldon South Industrial Estate

Corby

Northants

NN18 8AZ UK

Tel: 01962 773004

sales@in2connect.uk.com

SERIES 76-94 – PANEL SEALED PUSHBUTTON

KEY FEATURES:

- Non-spark material
- Explosive-proof materials used
- Wide temperature range
- Panel Sealed to IP67
- Impact rating - 20J
- Choice of actuators and styles -Push-buttons, rotary and panel lamp

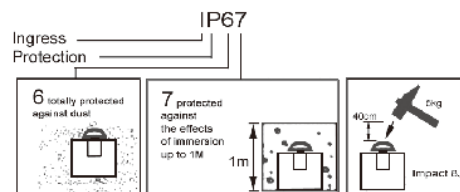
NON-STANDARD OPTIONS:

- PCB terminals
- Gold contacts
- 2 poles available
- Colour variants
- In-filled engraving (Push-button only)

CIRCUIT FORM:



INGRESS PROTECTION IMPACT KEY



MECHANICAL / ELECTRICAL / ENVIRONMENTAL CHARACTERISTICS:

Travel:

2,5mm (PB)

Life (nom):

2,000,000 cycles (PB)

50,000 cycles (R)

100,000 cycles
(Maintained Push-button)

Operating force:

7N (PB)

Contact bounce:

5ms (PB, R)

Panel thickness (max):

6mm (PB, R, L)

Dielectric strength:

1000V RMS (PB, R)

Insulation resistance:

1GΩ (PB, R)

Contact resistance (initial):

25mΩ (PB, R)

Current rating (max):

10A resistive 250V a.c. (PB, R)

Life:

100,000 cycles 20°C (PB, R)

50,000 cycles 70°C (PB, R)

Illumination type:

T1¾ Wedge base bulb (L)

Ingress protection:

IP67 (Panel Sealed) (PB, R, L)

Impact rating:

20J (PB, R, L)

Shock:

50g (PB, R, L)

Operating temperature range:

-40°C to +125°C (PB, R, L)

Body material:

Zinc alloy (PB, R, L)

Actuator material:

Zinc alloy (PB, R)

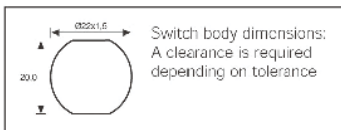
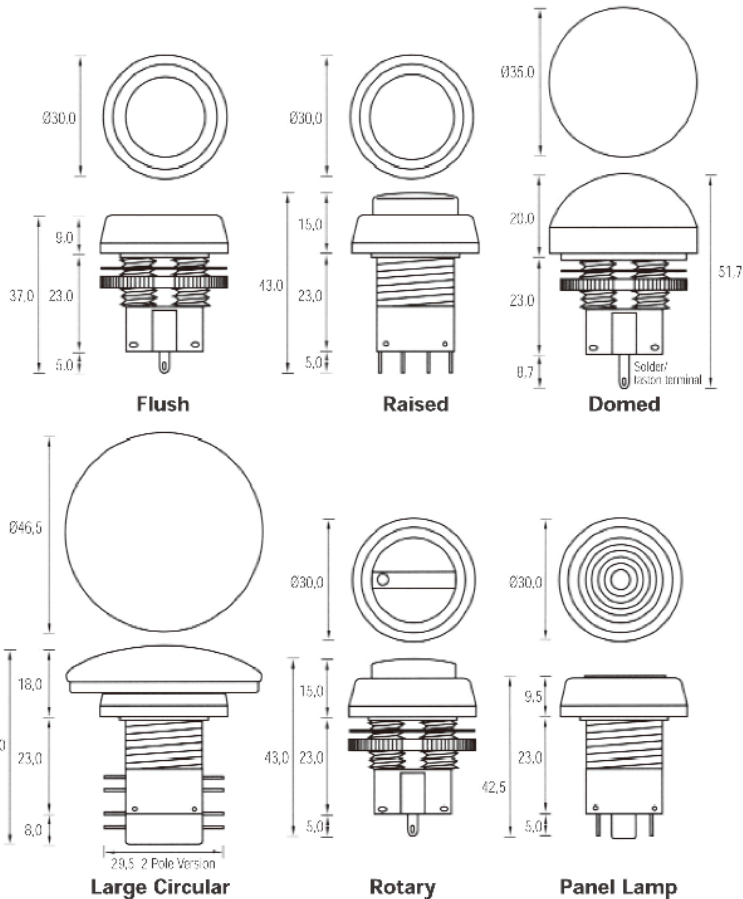
Lens material:

Polycarbonate (L)

Contact material:

Fine silver (PB, R)

PRODUCT DRAWINGS



All dimensions in Millimetres