

PUSHBUTTON SWITCHES

SERIES 58M-EM:



ACTUAL SIZE

FULLY SEALED METAL PUSHBUTTON



FULLY SEALED METAL PUSHBUTTON SWITCHES WITH WIRE LEADS

Built on the proven series 48 platform these rugged switches come in stainless steel or aluminum housings, electro-mechanical with either momentary or maintained action and lighted or unlighted versions. The variety of options in this compact package size make the 58M ideal for many applications: transportation, outdoor controls, security products, food processing and medical products.

KEY FEATURES:

- Momentary or Maintained Action
- Stainless Steel or Aluminum Housing
- Non Lit or Ring Illumination
- Variety of LED colors
- Electro-Mechanical
- Panel Sealed to IP67
- ROHS Compliant
- Gold Plated Contacts

APPLICATIONS

- Outdoor Controls
- Kiosks
- Security Equipment
- Medical Equipment
- Food Processing Equipment
- Military Equipment
- Industrial Machinery
- Transportation: Mass-Transit, Marine, Lift Trucks

ORDERING INFORMATION:

SWITCH FUNCTION:

- A. MECHANICAL, MOMENTARY, WIRE LEADS
- B. MECHANICAL, MAINTAINED, WIRE LEADS

HOUSING MATERIAL:

- 1. STAINLESS STEEL
- 2. ALUMINUM

BUTTON STYLE:

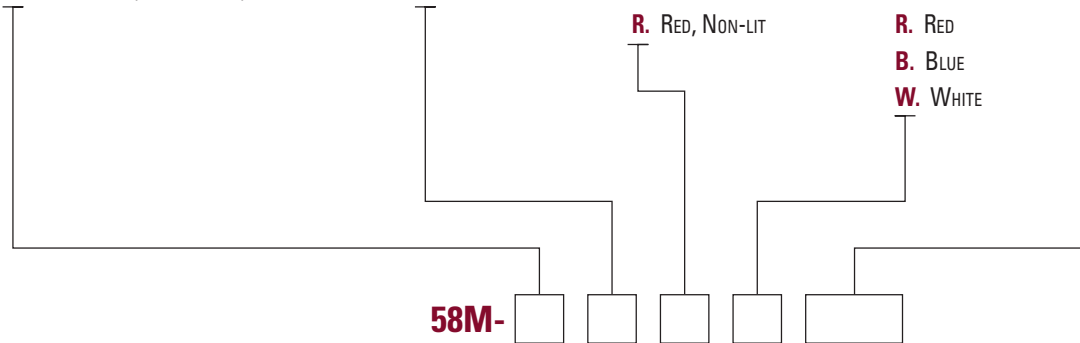
- 0. NON-LIT
- 2. RING ILLUMINATION
- R. RED, NON-LIT

LED COLOR:

- N. NONE
- G. GREEN
- R. RED
- B. BLUE
- W. WHITE

VOLTAGE RESISTOR

- IF BLANK *
- 05 5V FORWARD
- 12 12V FORWARD
- 24 24V FORWARD



STANDARDS / AGENCY / RATINGS:



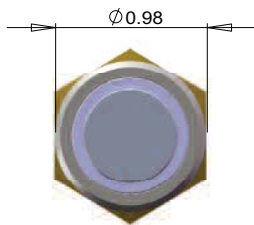
* Current limiting resistor is required to limit LED forward current to 20 mA (not included).

SERIES 58M: FULLY SEALED METAL PUSHBUTTON

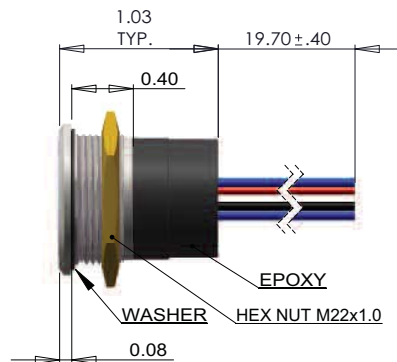
PUSHBUTTON SWITCHES

PRODUCT DRAWINGS

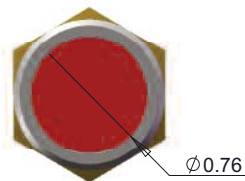
ILLUMINATION



RING TYPE



NON-ILLUMINATION

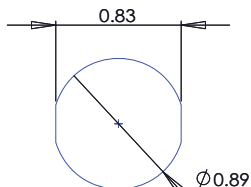


COLORLED TYPE



NON-LIT. TYPE

RECOMMENDED PANEL CUTOUT



WIRELEADS DESCRIPTION

WIRELEADS TYPE	WIRELEADS SPECIFICATION	SW TERMINAL		LED	
		I	O	+	-
ILLUMINATION	AWG26/UL1007	BLUE	BLUE	RED	BLACK
NON-ILLUMINATION		BLUE	BLUE	---	---

PANEL MOUNTING AND CONSTRUCTION INFORMATION

The series 58M mounts easily into panels of minimum 0.50" (1.3 mm) and maximum 0.150" (3.8 mm) thickness. Front panel sealing to IP67 is achieved by a sealing o-ring fitted to the body of the switch before it is inserted into the panel hole cut-out. It is held onto the panel by means of a brass hex nut tightened down to a torque of 10 inch pounds to achieve the correct sealing pressure.



IN2CONNECT
ELECTRONIC CONNECTORS

Designs and specifications are subject to change without notice due to product improvement.

MECHANICAL / ELECTRICAL CHARACTERISTICS:

Circuit:

SPST-NO-DB (Form X)

Button travel (nominal):

0.09 inches / 2.3 mm

Operating force (nominal):

3N / 306 grams

Contact bounce (nominal):

1 millisecond

Panel thickness:

0.50" – 0.150" (1.3 – 3.8mm)

Temperature index:

-40°C to +85°C

Torque (max):

10 inch pounds

LED operating temperature:

-13° F to +185° F /

-25° C to +85° C

Current ratings (resistive):

250mA @ 12VDC, 100K cycles

150mA @ 28VDC, 150K cycles (momentary)

100mA @ 48VDC, 100K cycles

10mA @ 12VDC, 1 million cycles (momentary)

ELECTRO-MECHANICAL

Dielectric strength:

1,000 VAC

Insulation resistance:

1 GΩ

Contact resistance:

50 mΩ max (initial)

In2Connect UK Ltd

Unit L, Tyson Courtyard

Weldon South Industrial Estate

Corby

Northants

NN18 8AZ UK

Tel: 01962 773004

sales@in2connect.uk.com

ITW Switches
SENSORS, SWITCHES, ELECTRONIC CONTROLS

C58M SERIES - SCREW TERMINALS

KEY FEATURES:

- Screw Terminals
- Maintained or Momentary Action
- Stainless Steel or Aluminium Housings
- Halo or Non-Illuminated Versions
- Choice of LED colours (or non-illuminated versions)
- Electro-Mechanical
- Panel Sealed to IP67
- RoHS Compliant
- Silver Plated Contacts



MECHANICAL/ELECTRICAL CHARACTERISTICS

Circuit:

SPST-NO-DB (Form X)

Button Travel (nominal):

2.3mm (0.09")

Operating Force (nominal):

3N (306 grams)

Contact Bounce (nominal):

1 millisecond

Panel Thickness:

1.3 ~ 3.8mm

Temperature (Operating):

-40°C to + 85°C

Torque (maximum) (Fixing Nut):

10 inch pounds

LED Operating Temperature:

-25°C to + 85°C

Current Ratings (resistive):

10mA @ 12VDC, 200,000 cycles (momentary) Nominal

10mA @ 12VDC, 20,000 cycles (maintain) Nominal

Dielectric Strength:

1000V AC

Insulation Resistance

1 GΩ

Contact Resistance:

50 mΩ (Initial)

C58M Series -

Miniature Panel Sealed Pushbuttons Screw Terminals

Built on the proven 58M Series, electro-mechanical switches these rugged devices come in both stainless steel or aluminium housings with either momentary or maintained action and lighted or unlighted versions.

The variety of options in this compact package size make the 58M ideal for many applications.

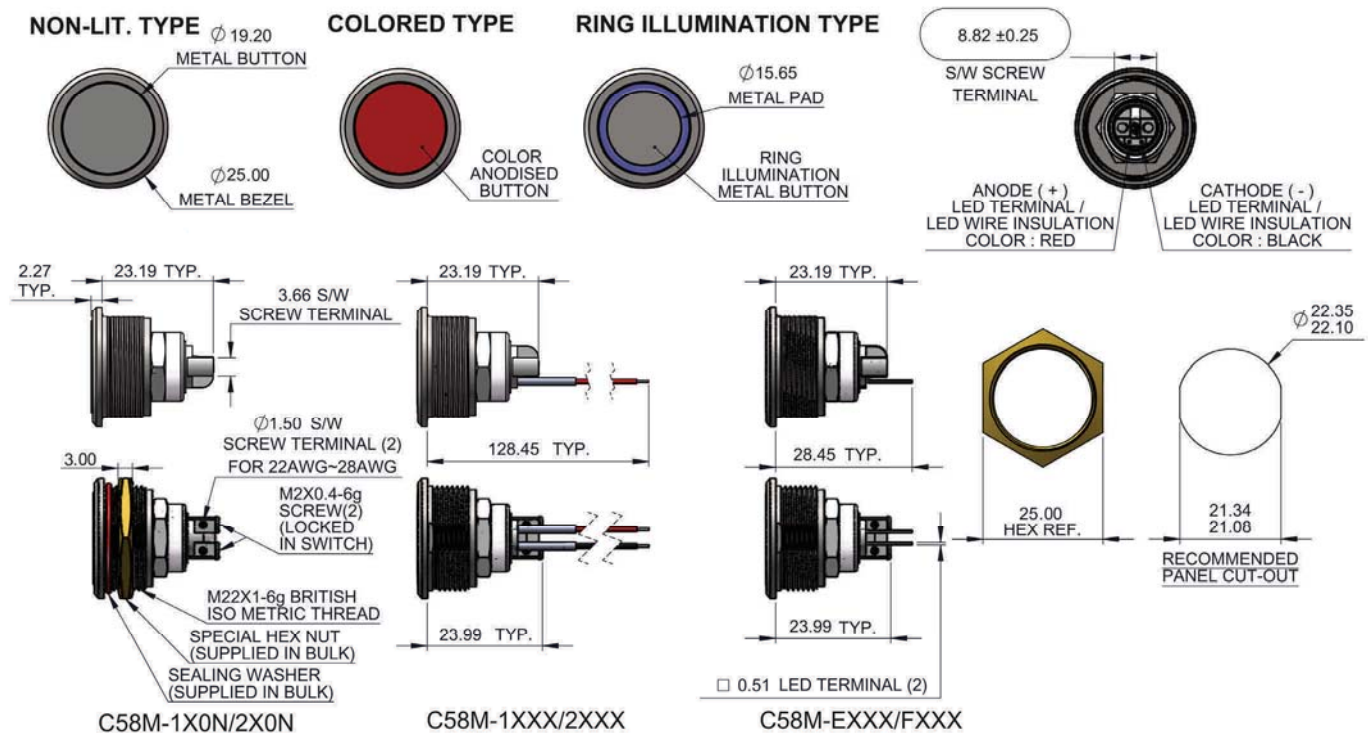
Contact us to learn more about the options available!

TYPICAL APPLICATIONS:

- Outdoor Controls
- Kiosks
- Security Equipment
- Medical Equipment
- Food Processing Equipment
- Military Equipment
- Industrial Machinery
- Transportation: Mass-Transit, Marine, Lift Trucks

C58M SERIES - SCREW TERMINALS

DIMENSIONS & ILLUMINATION OPTIONS:



PANEL MOUNTING AND CONSTRUCTION INFORMATION:

The series 58M mounts easily into panels of minimum 0.50" (1.3 mm) and maximum 0.150" (3.8 mm) thickness. Front panel sealing to IP67 is achieved by a sealing O-ring fitted to the body of the switch before it is inserted into the panel hole cut-out. It is held onto the panel by means of a brass hex nut tightened down to a torque of 10 inch pounds to achieve the correct sealing pressure.

How To ORDER:

SWITCH FUNCTION CODE	SWITCH FUNCTION DESCRIPTION	HOUSING MATERIAL CODE	HOUSING DESCRIPTION	ILLU. TYPE CODE	ILLUMINATION TYPE DESCRIPTION	LED COLOR CODE	LED COLOR	LED INLET VOLTAGE CODE	LED INLET VOLTAGE
1	MECHANICAL, MOMENTARY, SCREW TERMINAL	1	STAINLESS STEEL	0	NON-ILLUMINATION	N	NONE	IF BLANK*	(SEE NOTE)
2	MECHANICAL, MAINTAINED, SCREW TERMINAL	2	ALUMINUM INHERENT	-	-	G	GREEN	05	5V
E	MECHANICAL, MOMENTARY, SCREW TERMINAL			2	RING ILLUMINATION	R	RED	12	12V
F	MECHANICAL, MAINTAINED, SCREW TERMINAL			R	RED BUTTON, NON-ILLUMINATION	A	AMBER	24	24V
				B	BLUE				
				W	WHITE				
						Y	YELLOW		
						RB	RED/BLUE		
						RG	RED/GREEN		

NOTE:
 1. COLORED TYPE ONLY CHANGE THE COLOR OF BUTTON, NOT HOUSING.
 2. COLORED BUTTON TYPE ONLY SUPPLY FOR NONE ILLUMINATION TYPE