

PUSHBUTTON SWITCHES

Series 49-59W

FULLY SEALED PUSHBUTTON WITH WIRE LEADS

This fully sealed switch series is SPST-DB for a variety of circuit requirements. The double break mechanism also provides reliable switching of DC loads. This rugged switch is ideal for harsh environments.

APPLICATIONS

- Communications
- Instrumentation
- Data processing
- Military environments
- Mass transport controls
- Dry circuit switching



IN2CONNECT
ELECTRONIC CONNECTORS

KEY FEATURES:

- Fully sealed to IP67
- Momentary action
- Wire leads
- Flame retardant UL rated material
- Gold plated contacts
- Life up to 500,000 cycles



ACTUAL SIZE

ORDERING INFORMATION:

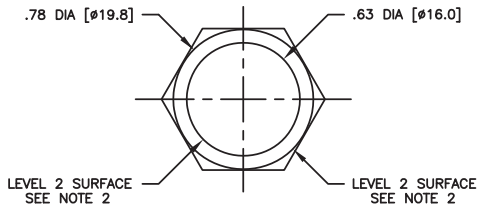
Part Number	Button Style	Button Color
49-59111	Round bezel	Black
49-59112	Round bezel	Red
49-59113	Round bezel	Green
49-59211	Square bezel	Black
49-59212	Square bezel	Red
49-59213	Square bezel	Green

In2Connect UK Ltd
Unit L, Tyson Courtyard
Weldon South Industrial Estate
Corby
Northants
NN18 8AZ UK
Tel: 01962 773004
sales@in2connect.uk.com

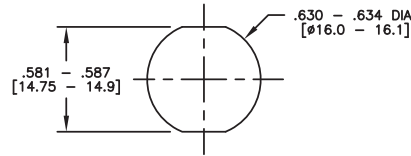
STANDARDS / AGENCY / RATINGS:



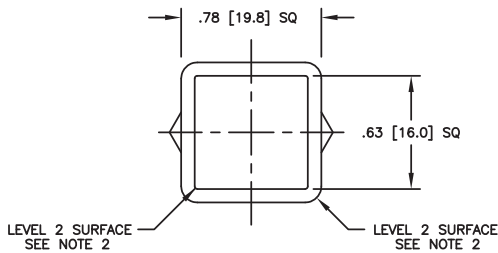
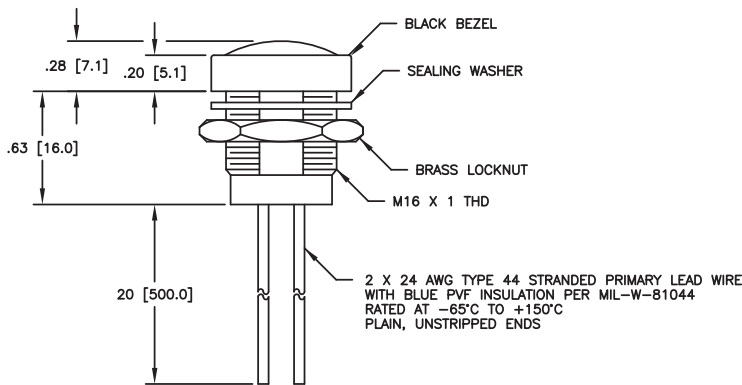
PRODUCT DRAWINGS



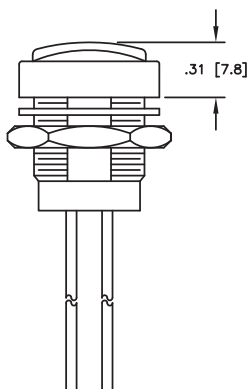
ROUND BEZEL
49-5911X



RECOMMENDED PANEL CUT-OUT



SQUARE BEZEL
49-5921X



MECHANICAL / ELECTRICAL CHARACTERISTICS:

- Circuit:**
SPST-NO-DB
- Travel:**
0.09 inches / 2.3 mm (nominal)
- Operating force:**
3N / 306 grams
- Panel thickness:**
0.31 inches 8 mm (Max)
- Contact material:**
gold plated palladium nickel
- Contact resistance (initial):**
150 mΩ max including wire leads
- Current Rating (typical):**
400mA at 32 VAC resistive
100mA at 50 VDC resistive
125mA at 125 VAC resistive
- Dielectric strength:**
1000 VAC for 1 min
- Insulation resistance:**
1 GΩ @ 500 VDC
- Contact resistance:**
50 mΩ max initial including leads
- Life (nominal):**
1,000,000 cycles (mechanical)
500,000 (max) cycles (electrical)
- Operating temperature:**
-55°C to 105°C
(-67°F to +221°F)
- Body and button material:**
PBT