

MH105-Series – IDC-Sub Connectors

Material Specification:

Insulator: Glass filled Polyester, Black
UL94 V-0

Shell: Stamped Steel Tin Plated

Contacts: Copper Alloy

Contact Plating: 1,5 micron Tin and
0,2 micron Gold

Electrical Specification:

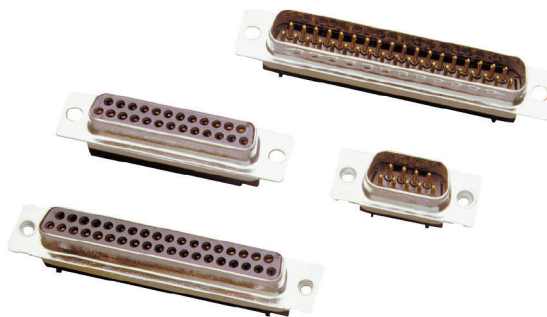
Working current: 1,5 A

Test Voltage: 1000 V

Insulation Resistance: 500 Mohm

Contact Resistance: less than 10 Mohm

Temperature Range: -55 to +125 °C



Available sizes:

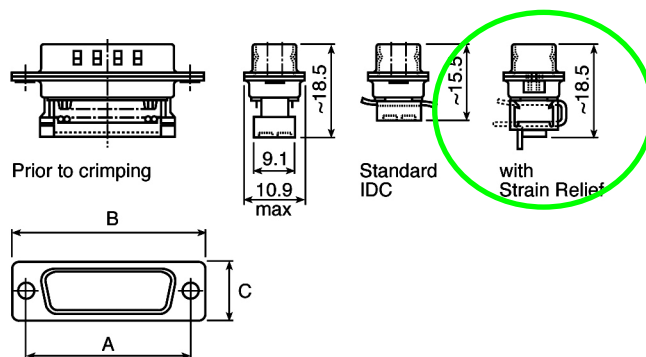
9-15-25-37

Size	Dim A	Dim B	Dim C	H	H2
9-way	25,0	30,8	12,5	15,5	18,5
15-way	33,3	39,1	12,5	15,5	18,5
25-way	47,0	53,0	12,5	15,5	18,5
37-way	63,5	69,3	12,5	15,5	18,5

H = Height after crimping

H2 = Height with Strain Relief

- Tin and Dimple Shells
- Black Insulators and IDC Crimp Backshells
- Selective Gold / Tin Plated
- 1,5 micron Tin and 0,2 micron Gold



ORDER CODES:

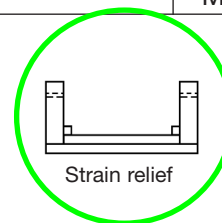
With 3,1 mm mounting Holes	Plug
9-way plug	MH10551
15-way plug	MH10552
25-way plug	MH10553
37-way plug	MH10554

With UNC4-40 clinch nuts	Plug
9-way	MH10567
15-way	MH10568
25-way	MH10569
37-way	MH10570

Socket	
9-way socket	MH10575
15-way socket	MH10576
25-way socket	MH10577
37-way socket	MH10578

Socket	
9-way	MH10591
15-way	MH10592
25-way	MH10593
37-way	MH10594

Strain Relief Bars – Suits both Plug & Socket	
9-way	MH10175
15-way	MH10176
25-way	MH10177
37-way	MH10178



Tel: +44 (0)1962 773004
Fax: +44 (0)1962 773104

sales@in2connect.uk.com
<www.in2connect.uk.com>