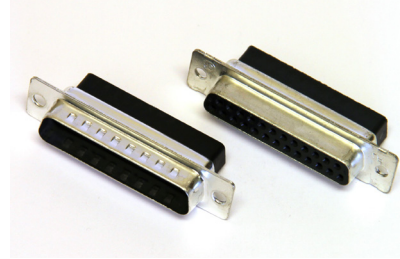


STAMPED & FORMED, CRIMP, HIGH DENSITY PROFILE

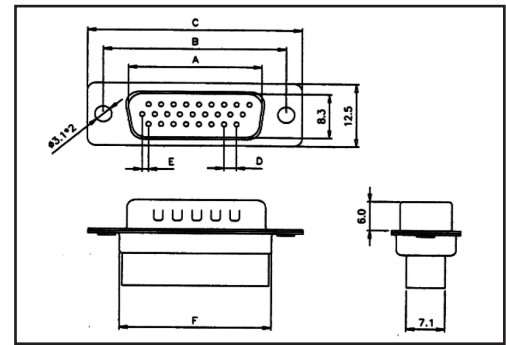
TECHNICAL SPECIFICATIONS

Insulator: Glass filled Polyester, Black
 UL94 V-0
 Shell: Stamped Steel, Tin Plated
 Contact pins: Copper Alloy
 Contact current rating: 5 Amps max
 Operating temperature: -55°C to +105°C
 Insulator resistance: 1000MΩ min



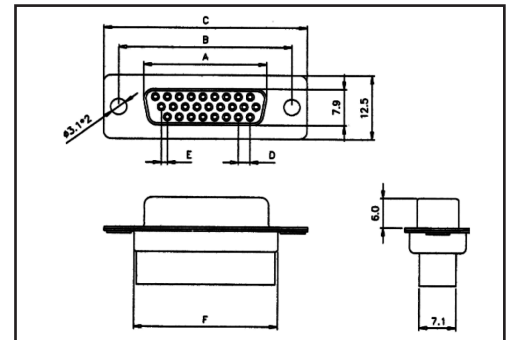
MALE

Size	Plug	Size	A	B	C	D	E	F
15-way	HDDBC15SP	15-way	16.92	25.0	30.8	2.29	1.14	19.2
24-way	HDDBC24SP	24-way	25.25	33.3	39.2	2.29	1.14	27.7
44-way	HDDBC44SP	44-way	38.96	47.1	53.1	2.29	1.14	41.1
62-way	HDDBC62SP	62-way	55.42	63.5	69.4	2.41	1.20	57.3



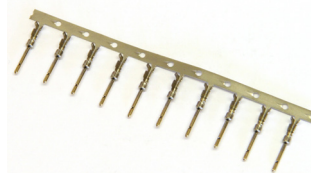
FEMALE

Size	Plug	Size	A	B	C	D	E	F
15-way	HDDBC15SS	15-way	16.3	25.0	30.8	2.29	1.14	19.2
24-way	HDDBC24SS	24-way	24.9	33.3	39.2	2.29	1.14	27.7
44-way	HDDBC44SS	44-way	38.3	47.1	53.1	2.29	1.14	41.1
62-way	HDDBC62SS	62-way	54.8	63.5	69.4	2.41	1.20	57.3

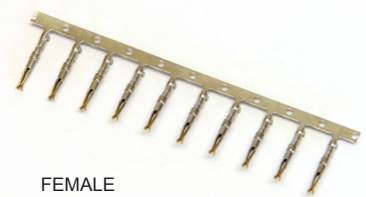


CRIMP CONTACTS

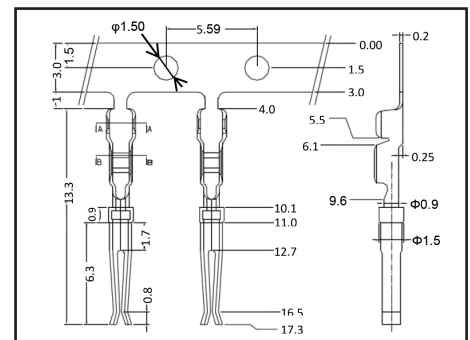
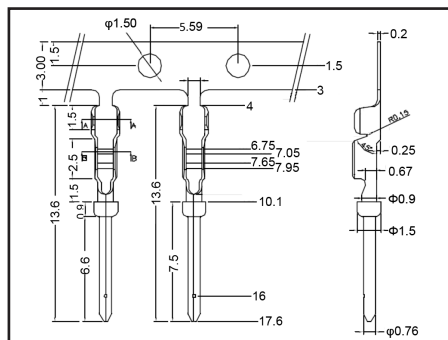
Material: Brass (Male)
 Phosphor Bronze (Female)
 Plating: Selective gold plated
 over Nickel
 Suitable for 24-28 AWG
 Reel size: 10,000



MALE



FEMALE



Gender	Product Code
Male	HDDBCTMR
Female	HDDBCTFR

TOOLING

INSERTION/
 EXTRACTION TOOL



Product Code
HDCT-TOOL-EX

Ratchet operated Crimp Tool
 Suitable for HDDBCTMR and
 HDDBCTFR Crimp Contacts



Product Code
CT08