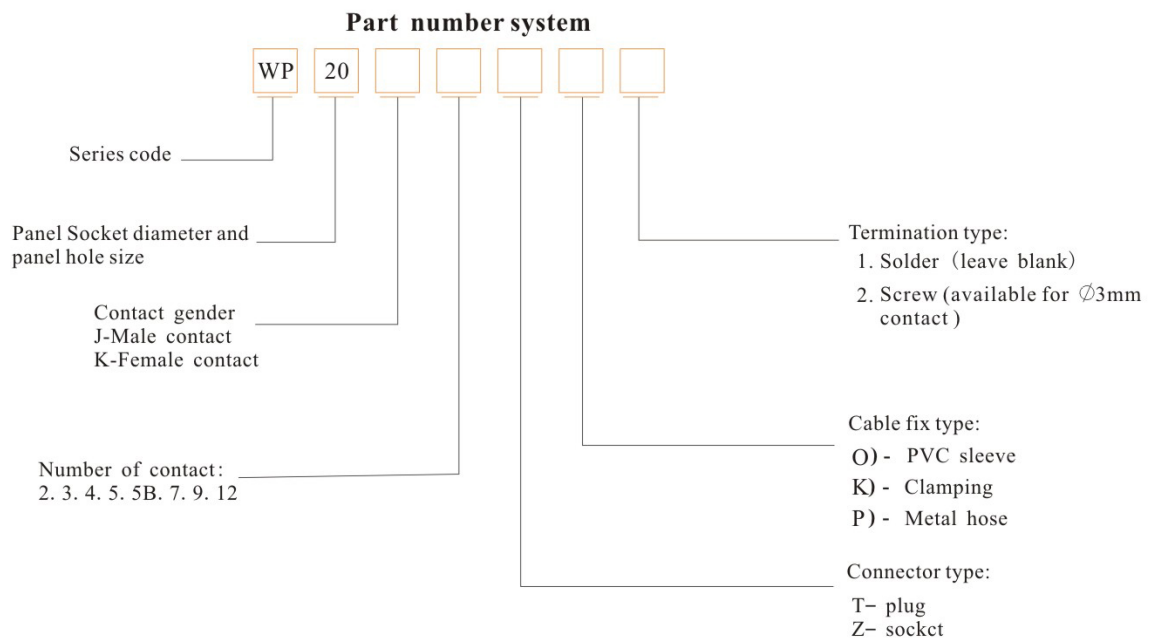


● **WP20 Series**

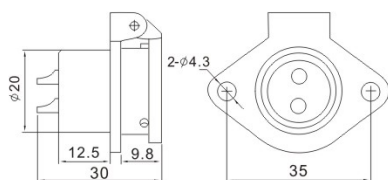


**Material and spec**

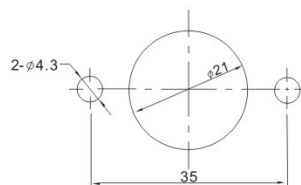
Coupling	Bayonet
Shell	Nylon PA66/zinc alloy
Insert material	PPS max temperature 260 °C
Contact material	Brass
Contact plating	Gold over nickel
Termination	7-12 contacts solder , 2-5 contacts solder / screw
Mating cycle	>500
Temperature range	-25°C~+85°C



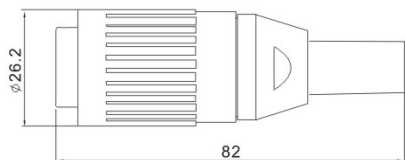
● Socket: Z IP44



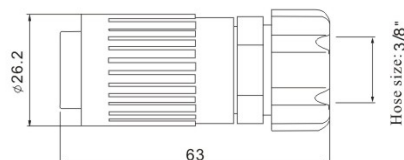
● Panel cutout



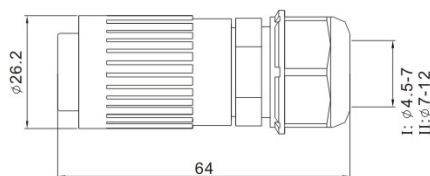
● PVC sleeve : TO



● Metal hose: TP



● Clamping : TK IP55



Tel: +44 (0)1962 773004  
Fax: +44 (0)1962 773104

[sales@in2connect.uk.com](mailto:sales@in2connect.uk.com)  
<[www.in2connect.uk.com](http://www.in2connect.uk.com)>

### Contact arrangement and spec

Number of contact	2	3	4	5	5B	7	9	12
Male contact face view								
Rated current(A)	30A	30A	30A	30A	5A, 30A	15A	5A	5A
Contact diameter	∅ 3X2	∅ 3X3	∅ 3X4	∅ 3X5	∅1X3 ∅3X2	∅ 2X7	∅1X9	∅1X12
Rated voltage (AC.V)	500V	500V	500V	500V	500V	500V	500V	400V
Test voltage(AC.V) 1 min	1500V	1500V	1500V	1500V	1500V	1500V	1500V	1200V
Contact resistance mΩ	1	1	1	1	5、1	2.5	5	5
Insulation resistance mΩ	2000	2000	2000	2000	2000	2000	2000	2000
Termination	solder / screw solder / screw solder / screw solder / screw					solder	solder	solder
Wire size <sup>mm2</sup> /AWG	≤4.17/11	≤4.17/11	≤4.17/11	≤4.17/11	≤0.785/18 ≤4.17/11	≤2/14	≤0.785/18	≤0.785/18