

IP67



Tel: +44 (0)1962 773004
Fax: +44 (0)1962 773104

IN2CONNECT
ELECTRONIC CONNECTORS


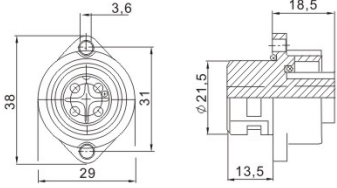

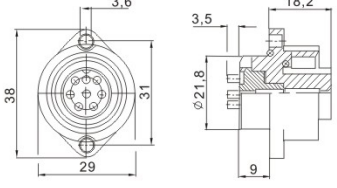

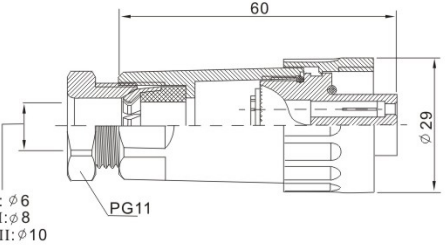


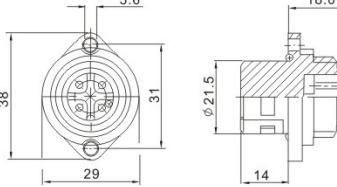

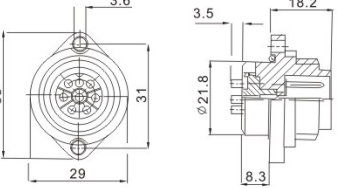

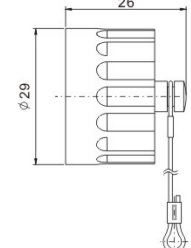

sales@in2connect.uk.com
<www.in2connect.uk.com>

● **WA22 Series IP67**
Material and spec

spec		
Number of contact	3+PE	6+PE
Termination	Screw	Solder
Wire size	Max2.5mm ² /AWG14	Max0.75mm ² /AWG18
Rated voltage (V)	400V	250V
Rated current(A)	16A	10A
Shell material	Nylon66, fire resistance : V-0	
Contact material	Brass with gold plating	
Cable outlet diameter	6, 8, 10mm	
IP rating	IP67	

● **WA 22**

Part number	Description	Drawing
 WA22J4TE2	WA 22 male cable connector 3+PE, screw termination	 I: $\phi 6$ II: $\phi 8$ III: $\phi 10$
 WA22J7TE1	WA 22 male cable connector 6+PE, solder termination	

Part number	Description	Drawing
WA22K4Z2 	WA 22 female panel connector 3+PE, screw termination	
WA22K7Z1 	WA 22 female panel connector 6+PE, solder termination	
WA22K4ZE2 	WA 22 female cable connector 3+PE, screw termination	 <p data-bbox="997 873 1061 937"> I: ϕ 6 II: ϕ 8 III: ϕ 10 </p>
WA22K7ZE1 	WA 22 female cable connector 6+PE, solder termination	
WA22J4Z2 	WA 22 male panel connector 3+PE, screw termination	
WA22J7Z1 	WA 22 male panel connector 6+PE, solder termination	
WA22G1 	Cap	
WA22G2 	Cap Tel: +44 (0)1962 773004 Fax: +44 (0)1962 773104 sales@in2connect.uk.com www.in2connect.uk.com	