



GENERAL SPECIFICATIONS

RoHS COMPLIANT



All parts are currently manufactured with recommended materials to meet RoHS standards. All contacts have 50u" of nickel underplate, and a large selection of plating options: Pure tin matte, overall gold, or selective gold plating. For operating/processing temperature parameters, visit the RoHS section of our website, or refer to page 7 of this catalog.

MATERIALS (Consult factory for materials not shown.)

Insulator

- PBT, Valox*, Thermoplastic Polyester
- PPS, Ryton*, Polyphenylene Sulfide
- PEEK, Polyetheretherketone
- PA9T, High Temperature Polyamide

Contacts

- Phosphor Bronze (Standard)
- Beryllium Copper
- Beryllium Nickel
- Spinodal**
- Brass



Plating

Plating is Lead Free with Nickel Underplate, offered in Gold (Selective or Overall) and Pure Tin Overall.

UL/CUL File Number: E64287

CAGE CODE: 54453

ECCN: EAR99

INTERNATIONAL HARMONIZED CODE: 8536.69.4040

In2Connect UK Ltd

Tel: +44(0)1962 773004

Fax: +44(0)1962 600034

Sales@in2connect.uk.com

MECHANICAL

Board Insertion Force: 16 oz maximum per contact pair using .062" [1.57 mm] thick steel test blade.

Board Withdrawal Force: 1 oz minimum per contact pair using .062" [1.57 mm] thick steel test blade.

Special Insertion/Withdrawal forces available upon request.

ELECTRICAL

Insulation Resistance: 5,000 Megohms

Contact Centers: .039" [1 mm] .050" [1.27 mm] .100" [2.54 mm] .125" [3.18 mm] .150" [3.81 mm] .156" [3.96 mm]

Operating Voltage:	225 VAC	300 VAC	700 VAC	750 VAC	850 VAC	950 VAC
---------------------------	---------	---------	---------	---------	---------	---------

DWV:	675 VAC	900 VAC	2100 VAC	2250 VAC	2550 VAC	2850 VAC
-------------	---------	---------	----------	----------	----------	----------

Current Rating: 1 to 5 Amp per contact

Contact Resistance: 30 milli Ohms maximum at rated current (May vary per product series***)

ENVIRONMENTAL

Solvent resistance: Perchloroethylene, Freon 113, Freon 11, Trichloroethylene

Operating Temperature:	PBT	-65°C to +130°C	Phosphor Bronze	-65°C to +125°C
	PPS	-65°C to +200/220°C***	Beryllium Copper	-65°C to +150°C
	PA9T	-65°C to +150°C	Spinodal**	-65°C to +200°C
	PEEK	-65°C to +250°C***	Beryllium Nickel***	-65°C to +300°C

(Continuous temperatures, higher for short duration. Contact factory for details.)

* Or equivalent

** Consult factory for special soldering guidelines.

*** Consult factory for more details.



PART NUMBER OPTIONS

MATERIALS (Insulator/Contact)

E = PBT & Phosphor Bronze
 Operating Temperature: -65°C To +125°C
 Processing Temperature: Wave only

R = PPS & Phosphor Bronze
 Operating Temperature: -65°C To +125°C
 Processing Temperature: 260°C Max. For 20 Sec.

G = PA9T & Phosphor Bronze
 Operating Temperature: -65°C To +125°C
 Processing Temperature: 260°C Max. For 20 Sec.

H = PBT & Beryllium Copper
 Operating Temperature: -65°C To +125°C
 Processing Temperature: Wave only

A = PPS & Beryllium Copper
 Operating Temperature: -65°C To +150°C
 Processing Temperature: 260°C Max. For 20 Sec.

J = PA9T & Beryllium Copper
 Operating Temperature: -65°C To +150°C
 Processing Temperature: 260°C Max. For 20 Sec.

M = White PA9T & Beryllium Copper
 Operating Temperature: -65°C To +150°C
 Processing Temperature: 260°C Max. For 20 Sec.

T = PPS & Beryllium Copper (Special, Consult Factory)
 Operating Temperature: -65°C To +175°C
 Processing Temperature: 260°C Max. For 20 Sec.

***F** = PPS & Spinodal** (Consult Factory)
 Operating Temperature: -65°C To +200°C

***C** = PPS & Beryllium Nickel (Consult Factory)
 Operating Temperature: -65°C To +200°C
 Processing Temperature: 260°C Max. For 20 Sec.

W = PEEK & Beryllium Nickel (Consult Factory)
 Operating Temperature: -65°C To +250°C
 Processing Temperature: 260°C Max. For 20 Sec.
 (Available with 'M' plating only.)

*Available with overall gold plating (S or M) only.
 **Consult factory for special soldering guidelines.

CONTACT FINISH - RoHS Compliant
 All platings are Lead Free and have .000050" Nickel underplate

Contact Surface	Termination
B = .000010" Gold	.000100" Pure Tin, Matte
C = .000030" Gold	.000100" Pure Tin, Matte
G = .000010" Gold	.000005" Gold
Y = .000030" Gold	.000005" Gold
Contact Surface	Overall Plating
S = .000010" Gold	.000010" Gold
M = .000030" Gold	.000010" Gold
E = .000100" Pure Tin, Matte	.000100" Pure Tin, Matte

Overall Tin only available in E, R & G material codes

CONTACT CENTERS

E = 1.00 mm [.039"]	C = .100" [2.54 mm]
B = .050" [1.27 mm]	A = .125" [3.18 mm]
K = .078" [1.98 mm]	J = .150" [3.81 mm]
*N = .079" [2.00 mm]	M = .156" [3.96 mm]

*Consult factory.

NUMBER OF CONTACT POSITIONS
 See applicable specification page

READOUT

D = Dual
 D = Dual Row/ Crimp to Center for Single Readout
 F = Dual Edge
 H = Half Loaded
 M = Male Card Edge

Registered Trademarks

Sabic Innovative Plastics: Valox	Sullins Electronics: Zero Lead Time
Phillips 66: Ryton	Sullins Electronics: Sullins
Gardner-Denver Co.: Wire Wrap	Underwriters Labs: UL
RTP Compounder: PEEK	Ametek: Spinodal

MODIFICATION CODE (Consult Factory)
 OMIT FOR STANDARD

MOUNTING STYLE

H = Clearance Holes, .125" [3.18 mm] Diameter
 N = No Mounting
 S = Side Mounting, .125" [3.18 mm] Diameter
 I = #4-40 Threaded Insert
 A = #4-40 Threaded Insert in Side Holes
 F = Floating Bobbin
 W = .430" Ears, Flush Mounting, .125" [3.18 mm] Diameter
 D = .250" Ears, Flush Mounting, .125" [3.18 mm] Diameter
 P = Clearance Holes, .142" [3.61 mm] Diameter
 B = Open Card Slot
 X = .430" Ears, Flush Mounting, #4-40 Threaded Insert
 T = .250" Ears, Flush Mounting, #4-40 Threaded Insert
 V = .250" Ears, Flush, Side Mounting, #4-40 Threaded Insert
 Q = Straddle Mount
 Z = .250" Ears, Flush, Side Mounting, .125" [3.18 mm] Diameter
 R = Metal Board Lock

TERMINATION TYPE

Card Extender
 HR = .050" & 1 mm Contact Centers
 KR, KN, PN, PR = .025" [0.64 mm] Square Post

Dip Solder - High Profile
 RS = .025" [0.64 mm] Square Tail, Loop Bellows
 CS, PD, PF, PS, SC = .025" [0.64 mm] Square Tail, Hairpin Bellows
 CK, TK = .025" [0.64 mm] Round Tail, Loop Bellows
 CT, CW = .015" [0.38] X .025" [0.64] Tail, Hairpin Bellows
 HH = .050" & 1 mm [.039"] Contact Centers
 HL, HN = .050" Contact Centers
 KS, KD = .025" [0.64 mm] Square Post, Cantilever

Dip Solder - Low Profile
 SX, SU = Crimp to Center for Single Readout
 RT, RK, RY = .140" [3.56 mm] Row Spacing
 RX, RF, RU, RP = .200" [5.08 mm] Row Spacing
 RJ = .250" [6.35 mm] Row Spacing

Eyelet
 RE, TE, SE = Eyelet Tail

Press Fit

.200" [5.08 mm] Row Spacing	.100" [2.54 mm] Row Spacing
JB = .025" [0.64 mm] Sq. Post	JF = .025" [0.64 mm] Sq. Post
JC = .025" [0.64 mm] Sq. Post	JG = .025" [0.64 mm] Sq. Post
JW = .025" [0.64 mm] Sq. Post	JY = .025" [0.64 mm] Sq. Post
JX = .025" [0.64 mm] Sq. Post	JZ = .025" [0.64 mm] Sq. Post

Right Angle
 TA, TB, TM = Loop Bellows
 CA, CB, CC, PU = Hairpin
 PB, PG, PE, PJ, PP = Hairpin
 KA, KE, KU, KJ = Cantilever
 HA, HB = .050" & 1 mm CC
 RA, SA = Full Bellows

Cantilever
 ET, EY = .100" CC Low Profile
 YH = .050" CC Thru Hole
 YR = .050" CC Card Extender
 YF = .050" CC SMT
 YY = .050" CC Right Angle
 YS = .050" CC Thru Hole

Surface Mount
 HF = Surface Mount, .050" & 1mm Contact Centers

Wire Wrap
 RM = .025" [0.64 mm] Square Post, Loop Bellows
 CM, MC, PM = .025" [0.64 mm] Square Post, Hairpin Bellows
 KK = .031" [0.79 mm] X .062" [1.58 mm] Post
 KL = .031" [0.79 mm] X .062" [1.58 mm] Post Twisted 90°
 KM = .025" [0.64 mm] Square Post, Cantilever
 WW = .045" [1.14 mm] Square Post

Bi-Level
 LR = Card Extender
 LT = Dip Solder
 KB = Right Angle

Dual Edge
 SL = Dual Edge

Male Card Edge
 MW, MS = Dip Solder
 MR, MN = Card Extender
 MM = Wire Wrap
 MA, MD, MJ, MK, MV, & MB = Right Angle

See page 139 for Micro Plastics brand part number options. Specifications are subject to change without notice.



.100" [2.54 mm] Contact Centers, .540" [13.72 mm] Insulator Height, Male Card Edge, Dip Solder/Right Angle/Card Extender

SPECIFICATIONS

- Compatible with .431" [10.95 mm] or .610" [15.49 mm] Insulator Height Card Edges
- Mates in place of .062" [1.57 mm] PC board
- PBT, PA9T or PPS insulator
- 3 Amps current rating for one contact energized
- 30 milli Ohms maximum at rated current
- Consult Factory for other Contact Centers
- UL Flammability Rating: 94V-0

Operating/Processing Temperature

E = PBT & Phosphor Bronze

Operating Temperature: -65°C to + 125°C

Processing Temperature: Wave only

R = PPS & Phosphor Bronze

Operating Temperature: -65°C to + 150°C

Processing Temperature: 260°C Max. for 20 sec.

G = PA9T & Phosphor Bronze

Operating Temperature: -65°C to + 150°C

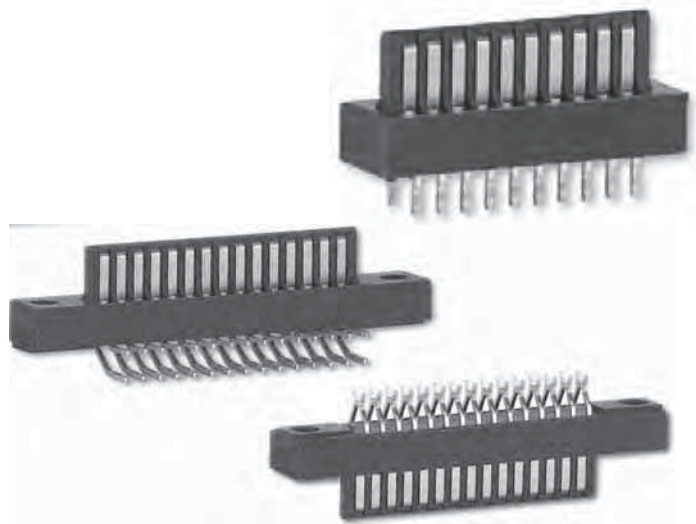
Processing Temperature: 260°C Max. for 20 sec.

A = PPS & Beryllium Copper

Operating Temperature: -65°C to + 200°C

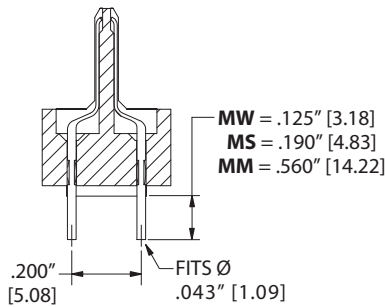
Processing Temperature: 260°C Max. for 20 sec.

Overall Gold Plating Only (Plating code 'S' or 'M')

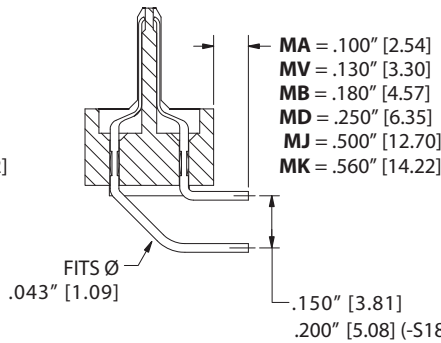


Sullins Male Card Edge

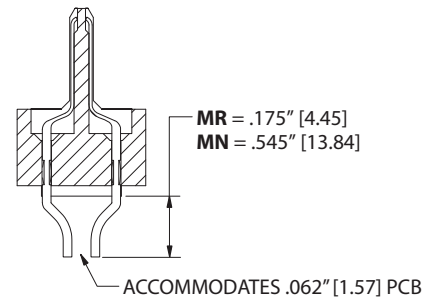
TERMINATION TYPE



**DIP SOLDER (MW, MS)
WIRE WRAP (MM)**

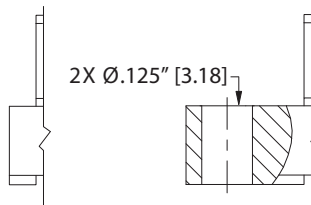


**RIGHT ANGLE
(MA, MV, MB, MD, MJ, MK)**

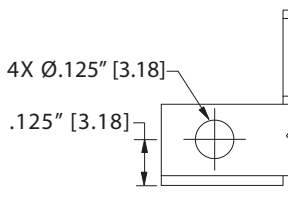


**CARD EXTENDER
(MR, MN)**

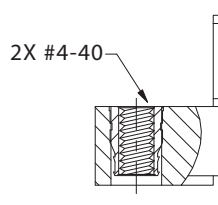
MOUNTING STYLE



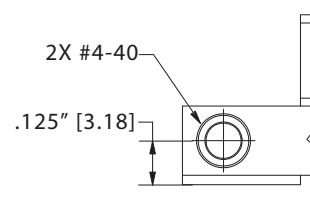
**NO MOUNTING
(N)**



**FLUSH with CLEARANCE HOLES
(D)**



**FLUSH, SIDE MOUNTING with CLEARANCE HOLES
(Z)**



**FLUSH with THREADED INSERT
(T)**

**FLUSH, with SIDE MOUNTED THREADED INSERT
(V)**



.100" [2.54 mm] Contact Centers, .540" [13.72 mm] Insulator Height, Male Card Edge, Dip Solder/Right Angle/Card Extender

Sullins Male Card Edge

PART NUMBER OPTIONS

MATERIALS (INSULATOR/CONTACT)

- E = PBT/Phosphor Bronze
 - G = PA9T/Phosphor Bronze
 - R = PPS/ Phosphor Bronze
 - A = PPS/Beryllium Copper (Only 'S' or 'M' plating code)
- Operating & Processing Temperature: See Opposite Page

CONTACT FINISH - RoHS Compliant

All platings are Lead Free and have .000050" Nickel underplate

Contact Surface	Termination
B = .000010" Gold	.000100" Pure Tin, Matte
C = .000030" Gold	.000100" Pure Tin, Matte
Y = .000030" Gold	.000005" Gold
Contact Surface	Overall Plating
S = .000010" Gold	.000010" Gold
M = .000030" Gold	.000010" Gold

CONTACT CENTERS

- C = .100" [2.54 mm]

E B C 25 M MW D - Sxxx

MODIFICATIONS (Consult Factory)

- OMIT FOR STANDARD
- S189 = .200" [5.08] Row Spacing (Right Angle Only)

MOUNTING STYLE

- N = No Mounting
- D = .250" Ears, Flush Mounting, .125" [3.18] Diameter
- Z = .250" Ears, Flush, Side Mounting
- T = .250" Ears, Flush Mounting, #4-40 Threaded Insert
- V = Flush, Side Mounting, #4-40 Threaded Insert

TERMINATION TYPE

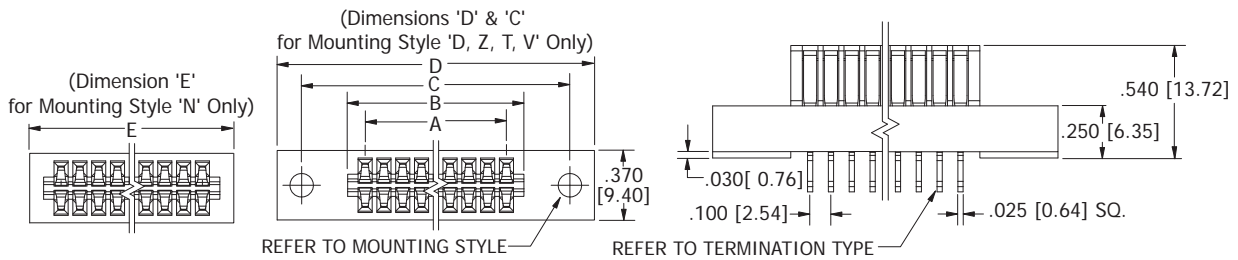
- MW, MS = Dip Solder
- MM = Wire Wrap
- MA, MV, MB = Right Angle
- MD, MJ, MK = Right Angle
- MR, MN = Card Extender

M = Male Card Edge

NUMBER OF CONTACT POSITIONS

- 04 thru 60 Positions
- (Contact factory for positions not shown.)

DIMENSIONS Dimensions in [] are in millimeters, all others are in inches.



POSITIONS/ CONTACTS	INCHES					MILLIMETERS				
	A±.008	B±.008	C±.010	D±.020	E±.020 'N' Mtg. Only	A±0.20	B±0.20	C±0.25	D±0.51	E±0.51 'N' Mtg. Only
04/08	0.300	0.486	0.975	1.236	0.656	7.62	12.34	24.77	31.39	16.66
05/10	0.400	0.586	1.075	1.336	0.756	10.16	14.88	27.31	33.93	19.20
06/12	0.500	0.686	1.175	1.436	0.856	12.70	17.42	29.85	36.47	21.74
07/14	0.600	0.786	1.275	1.536	0.956	15.24	19.96	32.39	39.01	24.28
08/16	0.700	0.886	1.375	1.636	1.056	17.78	22.50	34.93	41.55	26.82
10/20	0.900	1.086	1.575	1.836	1.256	22.86	27.58	40.01	46.63	31.90
12/24	1.100	1.286	1.775	2.036	1.456	27.94	32.66	45.09	51.71	36.98
13/26	1.200	1.386	1.875	2.136	1.556	30.48	35.20	47.63	54.25	39.52
15/30	1.400	1.586	2.075	2.336	1.756	35.56	40.28	52.71	59.33	44.60
16/32	1.500	1.686	2.175	2.436	1.856	38.10	42.82	55.25	61.87	47.14
17/34	1.600	1.786	2.275	2.536	1.956	40.64	45.36	57.79	64.41	49.68
18/36	1.700	1.886	2.375	2.636	2.056	43.18	47.90	60.33	66.95	52.22
19/38	1.800	1.986	2.475	2.736	2.156	45.72	50.44	62.87	69.49	54.76
20/40	1.900	2.086	2.575	2.836	2.256	48.26	52.98	65.41	72.03	57.30
22/44	2.100	2.286	2.775	3.036	2.456	53.34	58.06	70.49	77.11	62.38
23/46*	2.200	2.386	2.875	3.136	2.556	55.88	60.60	73.03	79.65	64.92
24/48	2.300	2.486	2.975	3.236	2.656	58.42	63.14	75.57	82.19	67.46
25/50	2.400	2.586	3.075	3.336	2.756	60.96	65.68	78.11	84.73	70.00
26/52	2.500	2.686	3.175	3.436	2.856	63.50	68.22	80.65	87.27	72.54
28/56	2.700	2.886	3.375	3.636	3.056	68.58	73.30	85.73	92.35	77.62
30/60	2.900	3.086	3.575	3.836	3.256	73.66	78.38	90.81	97.43	82.70
31/62	3.000	3.186	3.675	3.936	3.356	76.20	80.92	93.35	99.97	85.24
32/64	3.100	3.286	3.775	4.036	3.456	78.74	83.46	95.89	102.51	87.78
34/68	3.300	3.486	3.975	4.236	3.656	83.82	88.54	100.97	107.59	92.86
35/70	3.400	3.586	4.075	4.336	3.756	86.36	91.08	103.51	110.13	95.40
36/72	3.500	3.686	4.175	4.436	3.856	88.90	93.62	106.05	112.67	97.94
40/80	3.900	4.086	4.575	4.836	4.256	99.06	103.78	116.21	122.83	108.10
43/86*	4.200	4.386	4.875	5.136	4.556	106.68	111.40	123.83	130.45	115.72
44/88*	4.300	4.486	4.975	5.236	4.656	109.22	113.94	126.37	132.99	118.26
49/98*	4.800	4.986	5.475	5.736	5.156	121.92	126.64	139.07	145.69	130.96
50/100	4.900	5.086	5.575	5.836	5.256	124.46	129.18	141.61	148.23	133.50
52/104*	5.100	5.286	5.775	6.036	5.456	129.54	134.26	146.69	153.31	138.58
55/110*	5.400	5.586	6.075	6.336	5.756	137.16	141.88	154.31	160.93	146.20
56/112*	5.500	5.686			5.856	139.70	144.42			148.74
57/114*	5.600	5.786			5.956	142.24	146.96			151.28
58/116*	5.700	5.886	'N' Mounting Only		6.056	144.78	149.50	'N' Mounting Only		153.82
59/118*	5.800	5.986			6.156	147.32	152.04			156.36
60/120	5.900	6.086			6.256	149.86	154.58			158.90

* Consult factory for availability.



Male Card Edge

.156" [3.96 mm] Contact Centers, .540" [13.72 mm] Insulator Height, Male Card Edge, Dip Solder/Right Angle/Card Extender

SPECIFICATIONS

- Compatible with .431 [10.95 mm] or .610 [15.49 mm] Insulator Height Card Edges
- Mates in place of .062" [1.57 mm] PC board
- PBT, PA9T or PPS insulator
- 3 Amps current rating for one contact energized
- 30 milli Ohms maximum at rated current
- UL Flammability Rating: 94V-0

Operating/Processing Temperature

E = PBT & Phosphor Bronze

Operating Temperature: -65°C to + 125°C

Processing Temperature: Wave only

R = PPS & Phosphor Bronze

Operating Temperature: -65°C to + 150°C

Processing Temperature: 260°C Max. for 20 sec.

G = PA9T & Phosphor Bronze

Operating Temperature: -65°C to + 150°C

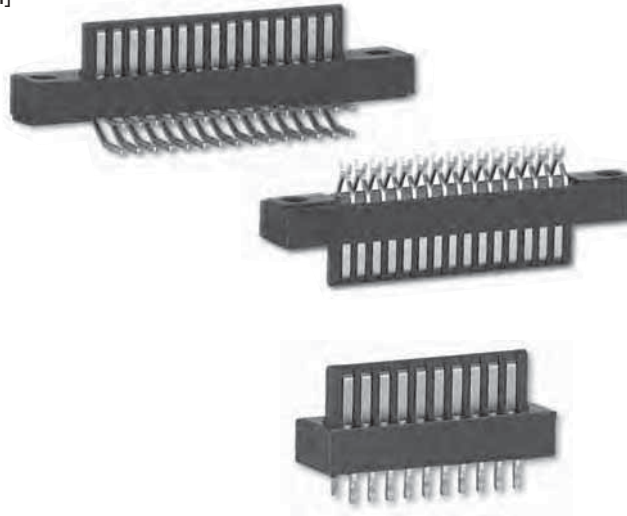
Processing Temperature: 260° C Max. for 20 sec.

A = PPS & Beryllium Copper

Operating Temperature: -65°C to + 200°C

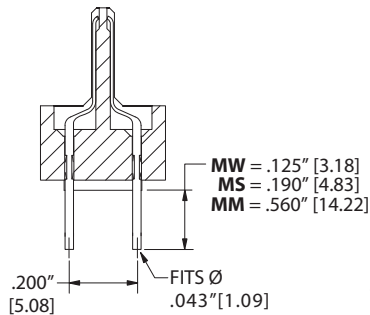
Processing Temperature: 260°C Max. for 20 sec.

Overall Gold Plating Only (Plating code 'S' or 'M')

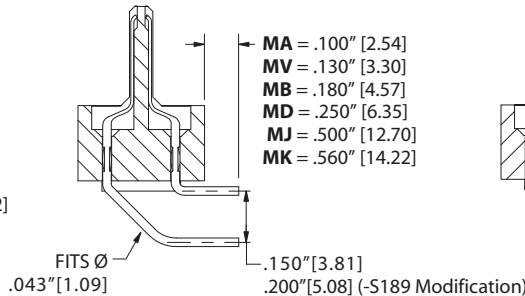


Sullins Male Card Edge

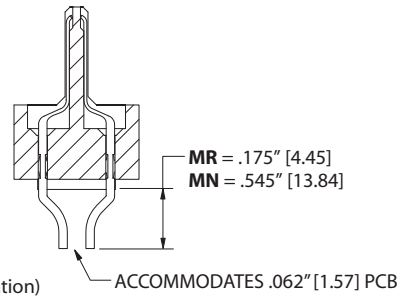
TERMINATION TYPE



DIP SOLDER (MW, MS) WIRE WRAP (MM)

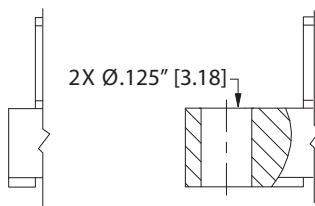


RIGHT ANGLE (MA, MV, MB, MD, MJ, MK)

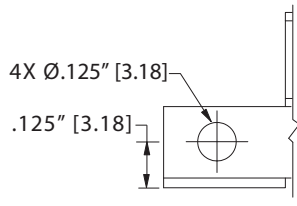


CARD EXTENDER (MR, MN)

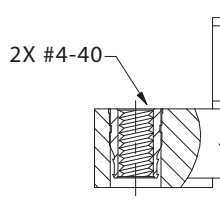
MOUNTING STYLE



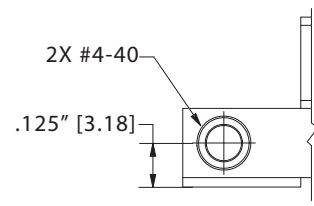
NO MOUNTING (N)



FLUSH with CLEARANCE HOLES (D)



FLUSH with THREADED INSERT (T)



FLUSH, with SIDE MOUNTED THREADED INSERT (V)



.156" [3.96 mm] Contact Centers, .540" [13.72 mm] Insulator Height, Male Card Edge, Dip Solder/Right Angle/Card Extender

Sullins Male Card Edge

PART NUMBER OPTIONS

MATERIALS (INSULATOR/CONTACT)

- E = PBT/Phosphor Bronze
 - G = PA9T/Phosphor Bronze
 - R = PPS/Phosphor Bronze
 - A = PPS/Beryllium Copper (Only 'S' or 'M' plating code)
- Operating & Processing Temperature: See Opposite Page

CONTACT FINISH - RoHS Compliant

All platings are Lead Free and have .000050" Nickel underplate

- | Contact Surface | Termination |
|-------------------|--------------------------|
| B = .000010" Gold | .000100" Pure Tin, Matte |
| C = .000030" Gold | .000100" Pure Tin, Matte |
| Y = .000030" Gold | .000005" Gold |
| Contact Surface | Overall Plating |
| S = .000010" Gold | .000010" Gold |
| M = .000030" Gold | .000010" Gold |

CONTACT CENTERS

M = .156" [3.96 mm]

E B M 25 M MW D - Sxxx

MODIFICATIONS (Consult Factory)

- OMIT FOR STANDARD
- S189 = .200" [5.08] Row Spacing (Right Angle Only)

MOUNTING STYLE (Opposite Page)

- N = No Mounting
- D = .250" Ears, Flush Mounting, .125" [3.18] Diameter
- Z = .250" Ears, Flush, Side Mounting
- T = .250" Ears, Flush Mounting, #4-40 Threaded Insert
- V = Flush, Side Mounting, #4-40 Threaded Insert

TERMINATION TYPE

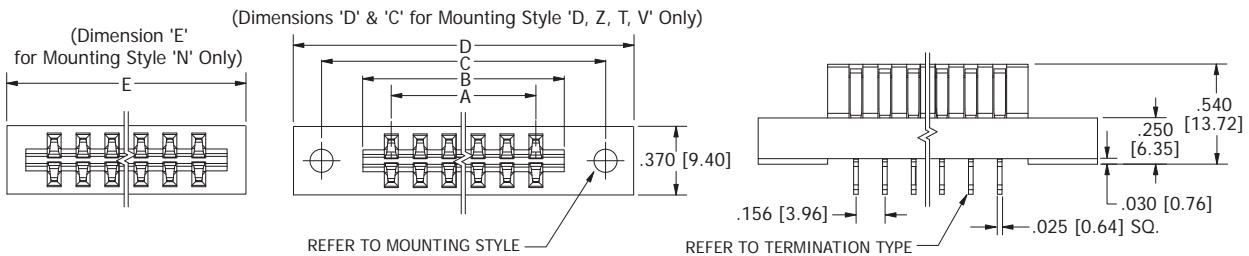
- MW, MS = Dip Solder
- MM = Wire Wrap
- MA, MV, MB = Right Angle
- MD, MJ, MK = Right Angle
- MR, MN = Card Extender

M = Male Card Edge

NUMBER OF CONTACT POSITIONS

04 thru 40 Positions

DIMENSIONS Dimensions in [] are in millimeters, all others are in inches.



POSITIONS/ CONTACTS	INCHES					MILLIMETERS				
	A±.008	B±.008	C±.010	D±.020	E±.020 'N' Mtg. Only	A±0.20	B±0.20	C±0.25	D±0.51	E±0.51 'N' Mtg. Only
04/08*	0.468	0.774	1.221	1.524	0.944	11.89	19.66	31.01	38.71	23.98
05/10*	0.624	0.930	1.377	1.680	1.100	15.85	23.62	34.98	42.67	27.94
06/12	0.780	1.086	1.533	1.836	1.256	19.81	27.58	38.94	46.63	31.90
07/14*	0.936	1.242	1.689	1.992	1.412	23.77	31.55	42.90	50.60	35.86
08/16*	1.092	1.398	1.845	2.148	1.568	27.74	35.51	46.86	54.56	39.83
09/18*	1.248	1.554	2.001	2.304	1.724	31.70	39.47	50.83	58.52	43.79
10/20	1.404	1.710	2.157	2.460	1.880	35.66	43.43	54.79	62.48	47.75
11/22	1.560	1.866	2.313	2.616	2.036	39.62	47.40	58.75	66.45	51.71
12/24	1.716	2.022	2.469	2.772	2.192	43.59	51.36	62.71	70.41	55.68
13/26	1.872	2.178	2.625	2.928	2.348	47.55	55.32	66.68	74.37	59.64
14/28	2.028	2.334	2.781	3.084	2.504	51.51	59.28	70.64	78.33	63.60
15/30	2.184	2.490	2.937	3.240	2.660	55.47	63.25	74.60	82.30	67.56
16/32	2.340	2.646	3.093	3.396	2.816	59.44	67.21	78.56	86.26	71.53
17/34*	2.496	2.802	3.249	3.552	2.972	63.40	71.17	82.52	90.22	75.49
18/36	2.652	2.958	3.405	3.708	3.128	67.36	75.13	86.49	94.18	79.45
19/38*	2.808	3.114	3.561	3.864	3.284	71.32	79.10	90.45	98.15	83.41
20/40	2.964	3.270	3.717	4.020	3.440	75.29	83.06	94.41	102.11	87.38
21/42*	3.120	3.426	3.873	4.176	3.596	79.25	87.02	98.37	106.07	91.34
22/44	3.276	3.582	4.029	4.332	3.752	83.21	90.98	102.34	110.03	95.30
23/46*	3.432	3.738	4.185	4.488	3.908	87.17	94.95	106.30	114.00	99.26
24/48	3.588	3.894	4.341	4.644	4.064	91.14	98.91	110.26	117.96	103.23
25/50*	3.744	4.050	4.497	4.800	4.220	95.10	102.87	114.22	121.92	107.19
26/52	3.900	4.206	4.653	4.956	4.376	99.06	106.83	118.19	125.88	111.15
27/54*	4.056	4.362	4.809	5.112	4.532	103.02	110.79	122.15	129.84	115.11
28/56	4.212	4.518	4.965	5.268	4.688	106.98	114.76	126.11	133.81	119.08
29/58*	4.368	4.674	5.121	5.424	4.844	110.95	118.72	130.07	137.77	123.04
30/60*	4.524	4.830	5.277	5.580	5.000	114.91	122.68	134.04	141.73	127.00
31/62*	4.680	4.986	5.433	5.736	5.156	118.87	126.64	138.00	145.69	130.96
32/64*	4.836	5.142	5.589	5.892	5.312	122.83	130.61	141.96	149.66	134.92
33/66*	4.992	5.298	5.745	6.048	5.468	126.80	134.57	145.92	153.62	138.89
34/68	5.148	5.454	5.901	6.204	5.624	130.76	138.53	149.89	157.58	142.85
35/70	5.304	5.610	6.057	6.360	5.780	134.72	142.49	153.85	161.54	146.81
36/72	5.460	5.766	6.213	6.516	5.936	138.68	146.46	157.81	165.51	150.77
37/74*	5.616	5.922			6.092	142.65	150.42			154.74
38/76	5.772	6.078			6.248	146.61	154.38			158.70
39/78*	5.928	6.234	'N' Mounting Only		6.404	150.57	158.34	'N' Mounting Only		162.66
40/80*	6.084	6.390			6.560	154.53	162.31			166.62

* Consult factory for availability.