



Tel: +44 (0)1962 773004

Fax: +44 (0)1962 773104

sales@in2connect.uk.com

<www.in2connect.uk.com>

SECTION 12

RJ45-IP67 INDUSTRIAL ETHERNET CONNECTOR SYSTEM

The RJ45 connector is the most used interface in data communications.

In Ethernet networks, this proven connector assures quick, secure communications between all devices connected in a network

The ethernet network technology has now been made "industry capable" as an Industrial Ethernet version. Naturally this required some adaptation to different requirements and harsher environmental conditions. This applies equally to the connection technology employed. The focus here was to provide increased protection for the connector system against contamination and moisture (IP67 rating). Furthermore, there are also increased demands for mechanical stability, temperature resistance, vibration immunity and protection against EMI/RFI.

In addition to protection against ambient influences in a connected state, the handling aspects to make quick, reliable connections also plays an important role.

Complex connections and assembly procedures are time-consuming and, in a harsh environment, represent an increased risk for systems and equipment.

For industrial real-time-Ethernet, CONEC has developed a RJ45 connector type with a bayonet latching mechanism according to the IEC 61076-3-106 standard.

This robust design with IP67 rating ensures reliable protection and easy connection under harsh environmental conditions.





Example applications:

- Industrial production, CNC machines
- Communications equipment
- Food & Beverage and chemical process controllers
- Mass transportation
- Oil exploration
- Industrial process control
- Diagnostic and instrument
- Printers, displays
- Factory automation
- Outdoor telecommunications systems

The mating counterpart consists of a RJ45 Cat. 5e plug set with IP67 rating. This program is supplemented by preassembled patch cables with IP67 rating in various lengths and designs.

A socket connector with IP67 rating, bayonet coupling and protective cap is available for installation into equipment.

It can be mounted on the front side or rear side of an enclosure panel having up to 3.2 mm thickness and is available in three designs.



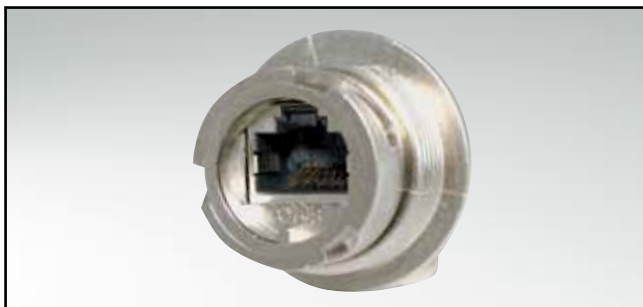
TECHNICAL DATA

| | |
|--|--|
| Mechanical and electrical characteristics | |
| Interface connector | RJ45 Cat. 5e per EIA/TIA-568-B2 |
| Lock mechanism | Bayonet socket connector per IEC 61076-3-106 |
| IP Degree of protection | IP67 |
| Temperature range | -40°C to + 85°C |
| Strength of current | 1.2 A max. to 25°C |
| Voltage | 100 VDC |
| Contact resistance | 20 mΩ max. |
| Insulation resistance | 500 mΩ min. |
| Electric strength contact to contact | 1000 VDC/60 sec. |
| Electric strength contact to metal Housing | 1500 VDC/60 sec. |
| Materials | |
| Housing | PBT (black) or ABS metallized (nickel plated), flame protection per UL 94-V0 |
| Fastening nut | Brass nickel plated |
| Housing sealing | Silicone (white) |
| RJ45 Socket metal housing | Copper alloy, nickel plated |
| RJ45 Socket and plug connector plastic housing | PBT (black), flame protection per UL 94-V0 |
| RJ45 Socket and plug contacts | Phosphor bronze, gold plated |
| Connector housing | PBT (black) or ABS metallized (nickel plated), flame protection peer UL 94-V0 |
| Metal socket coupling ring | PBT (black) or ABS metallized (nickel plated), flame protection per UL 94-V0, or zinc die-cast (nickel plated) |
| Cable termination | PBT (black) or brass nickel plated, flame protection per UL 94-V0 |
| Cable seal | NBR (black) |
| Interface seal | Silicone (white) |
| RJ45 plug connector metal housing | Copper alloy, nickel plated |
| Protection cap | PBT (black) or ABS metallized (nickel plated), flame protection per UL 94-V0 |
| Seal | Silicone (red) |
| Protection cap | PE (black) |

Technical alterations are subject to change without notice.

RJ45 INSTALLATION HOUSING SET

Inline socket connector version

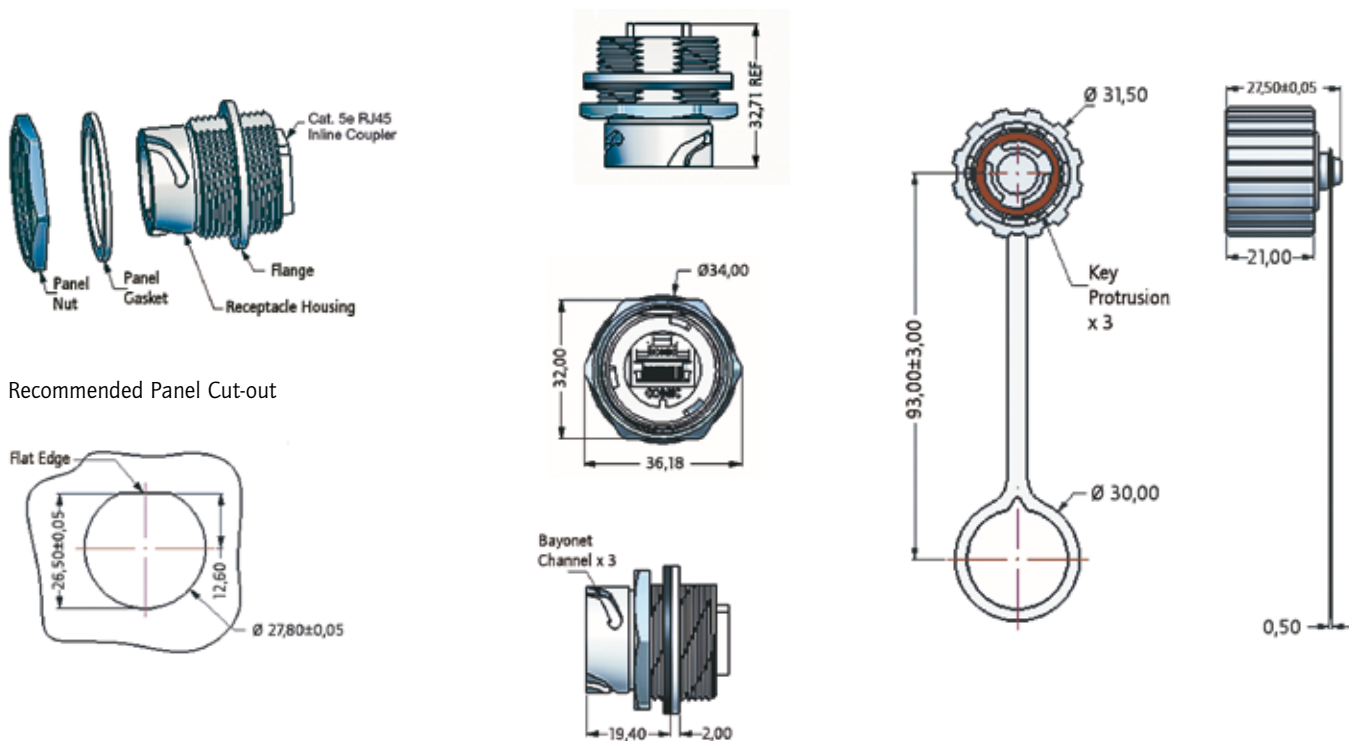


RoHS compliant

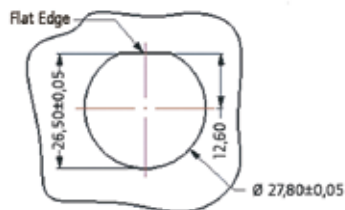
DESCRIPTION

- For front- or rear panel mounting up to wall thickness of .013"/3.2 mm
- Design: Black plastic or metallized plastic
- Unshielded RJ45 Inline socket connector or shielded RJ45 Inline socket connector Cat.5e
- Available as a set with protection cap

PRODUCT DRAWING



Recommended Panel Cut-out



ORDER DATA

| Type | Material | RJ45 Cat.5e design | Protection cap | Part Number |
|---------|--------------------|------------------------------------|---------------------|-------------|
| Housing | Black plastic | Inline socket connector shielded | | 17-10009 |
| Housing | Black plastic | Inline socket connector unshielded | | 17-10019 |
| Housing | Metallized plastic | Inline socket connector shielded | | 17-10012 |
| Housing | Black plastic | Inline socket connector shielded | With protection cap | 17-10000 |
| Housing | Black plastic | Inline socket connector unshielded | With protection cap | 17-10020 |
| Housing | Metallized plastic | Inline socket connector shielded | With protection cap | 17-10011 |

RJ45 INSTALLATION HOUSING SET

Insulation displacement termination version

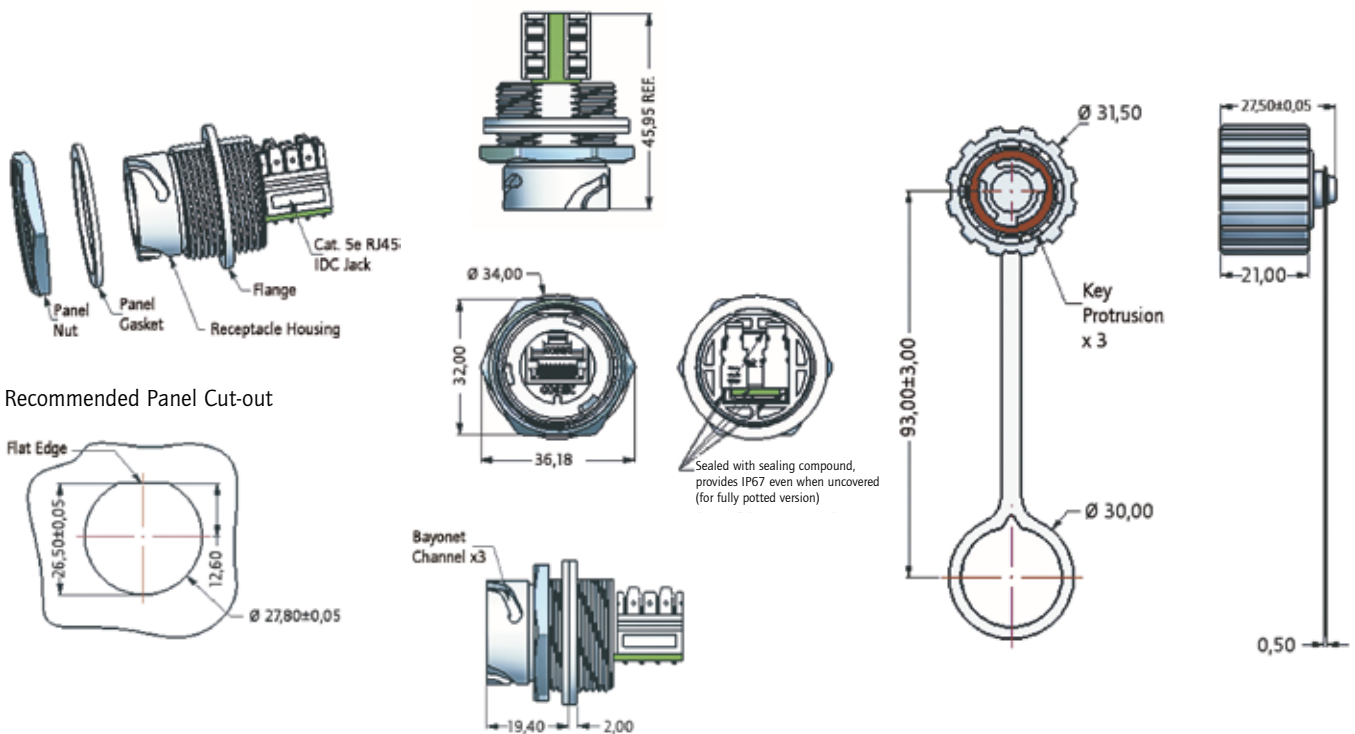


RoHS compliant

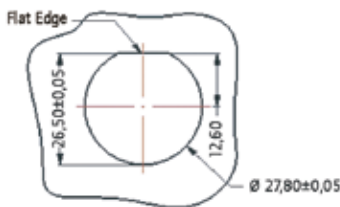
DESCRIPTION

- For front or rear panel mounting up to wall thickness of .013"/3.2 mm
- Design: Black plastic or metallized plastic
- Shielded RJ45 plug connector, insulation displacement termination (IDC) Cat.5e
- Available as a set with protection cap

PRODUCT DRAWING



Recommended Panel Cut-out



ORDER DATA

| Type | Material | RJ45 Cat.5e design | Sealing | Protection cap | Part Number |
|---------|--------------------|-----------------------------------|------------------|---------------------|-------------|
| Housing | Black plastic | Socket IDC-termination / Shielded | | | 17-10015 |
| Housing | Metallized plastic | Socket IDC-termination / Shielded | | | 17-10016 |
| Housing | Black plastic | Socket IDC-termination / Shielded | Sealing compound | | 17-10033 |
| Housing | Metallized plastic | Socket IDC-termination / Shielded | Sealing compound | | 17-10034 |
| Housing | Black plastic | Socket IDC-termination / Shielded | | With protection cap | 17-10021 |
| Housing | Metallized plastic | Socket IDC-termination / Shielded | | With protection cap | 17-10022 |
| Housing | Black plastic | Socket IDC-termination / Shielded | Sealing compound | With protection cap | 17-10037 |
| Housing | Metallized plastic | Socket IDC-termination / Shielded | Sealing compound | With protection cap | 17-10038 |

RJ45 INSTALLATION HOUSING SET

Solder termination (PCB)

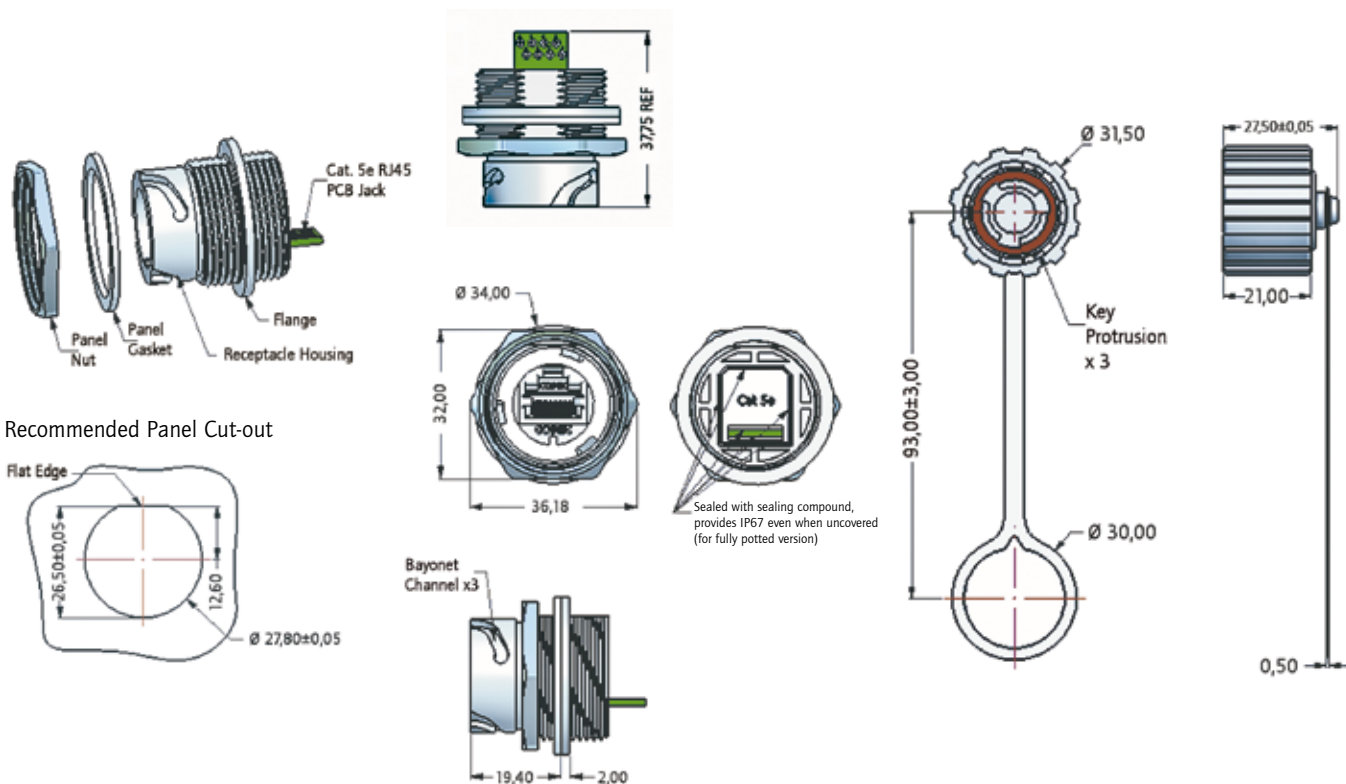


RoHS compliant

DESCRIPTION

- For front or rear panel mounting up to wall thickness of .013"/3.2 mm
- Design: Black plastic or metallized plastic
- Solder termination to shielded RJ45 Inline socket connector Cat. 5e
- Available as a set with protection cap

PRODUCT DRAWING

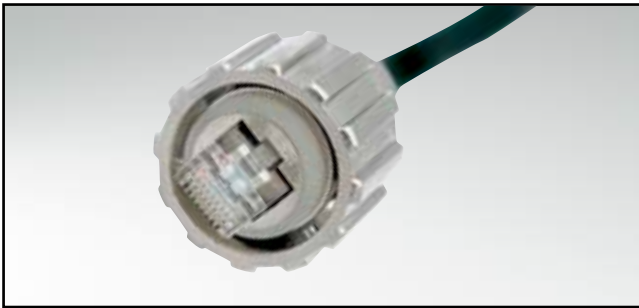


ORDER DATA

| Type | Material | RJ45 Cat.5e design | Sealing | Protection cap | Part Number |
|---------|--------------------|-------------------------------------|------------------|---------------------|-------------|
| Housing | Black plastic | Socket Solder termination /Shielded | | | 17-10017 |
| Housing | Metallized plastic | Socket Solder termination /Shielded | | | 17-10018 |
| Housing | Black plastic | Socket Solder termination /Shielded | Sealing compound | | 17-10035 |
| Housing | Metallized plastic | Socket Solder termination /Shielded | Sealing compound | | 17-10036 |
| Housing | Black plastic | Socket Solder termination /Shielded | | With protection cap | 17-10023 |
| Housing | Metallized plastic | Socket Solder termination /Shielded | | With protection cap | 17-10024 |
| Housing | Black plastic | Socket Solder termination /Shielded | Sealing compound | With protection cap | 17-10039 |
| Housing | Metallized plastic | Socket Solder termination /Shielded | Sealing compound | With protection cap | 17-10040 |

RJ45 PLUG CONNECTOR SET

Standard version

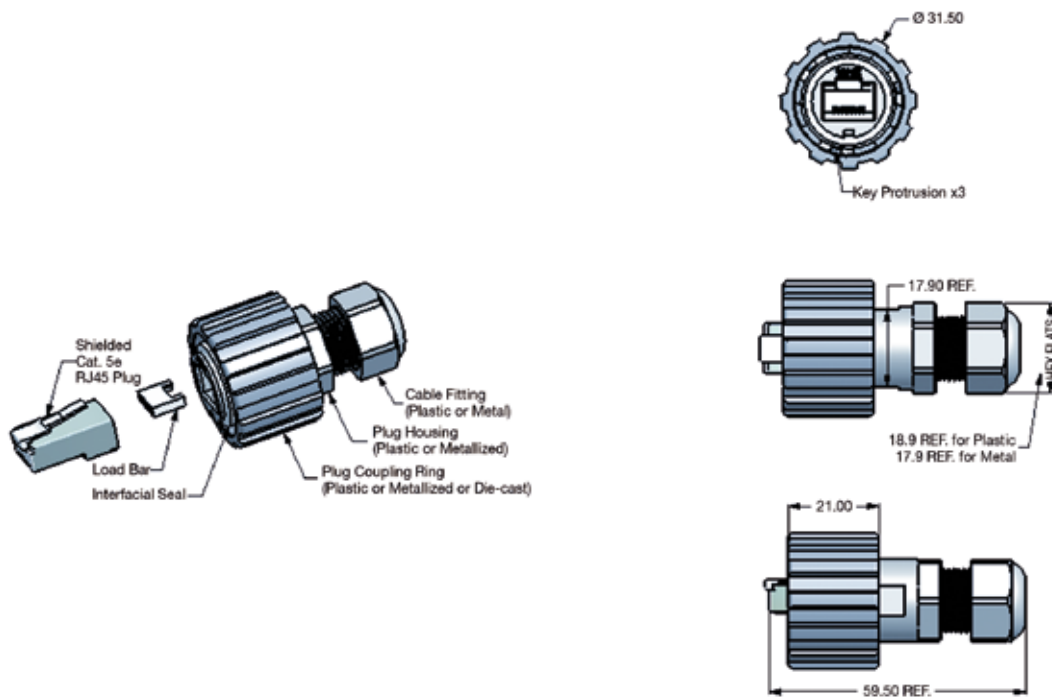


RoHS compliant

DESCRIPTION

- Shielded RJ45 plug connector Cat.5e
- For use with solid or stranded, shielded or unshielded cable size AWG24
- Designs:
 - Housing and socket connector: black plastic
 - Housing and socket connector: metallized plastic
 - Housing: Coupling ring, die-cast version metallized plastic and black plastic

PRODUCT DRAWING



ORDER DATA

| Type | Material | RJ45 Cat.5e design | Part Number |
|--------------------|---|-------------------------|-------------|
| Plug connector set | Housing and socket connector/Black plastic | Plug connector/Shielded | 17-10001 |
| Plug connector set | Housing and socket connector/Metallized plastic | Plug connector/Shielded | 17-10013 |
| Plug connector set | Housing: Metallized plastic/Socket connector and coupling ring: zinc die-cast | Plug connector/Shielded | 17-10044 |

RJ45 INSTALLATION HOUSING SET

Plastic and metallized protection cap – Bayonet locking

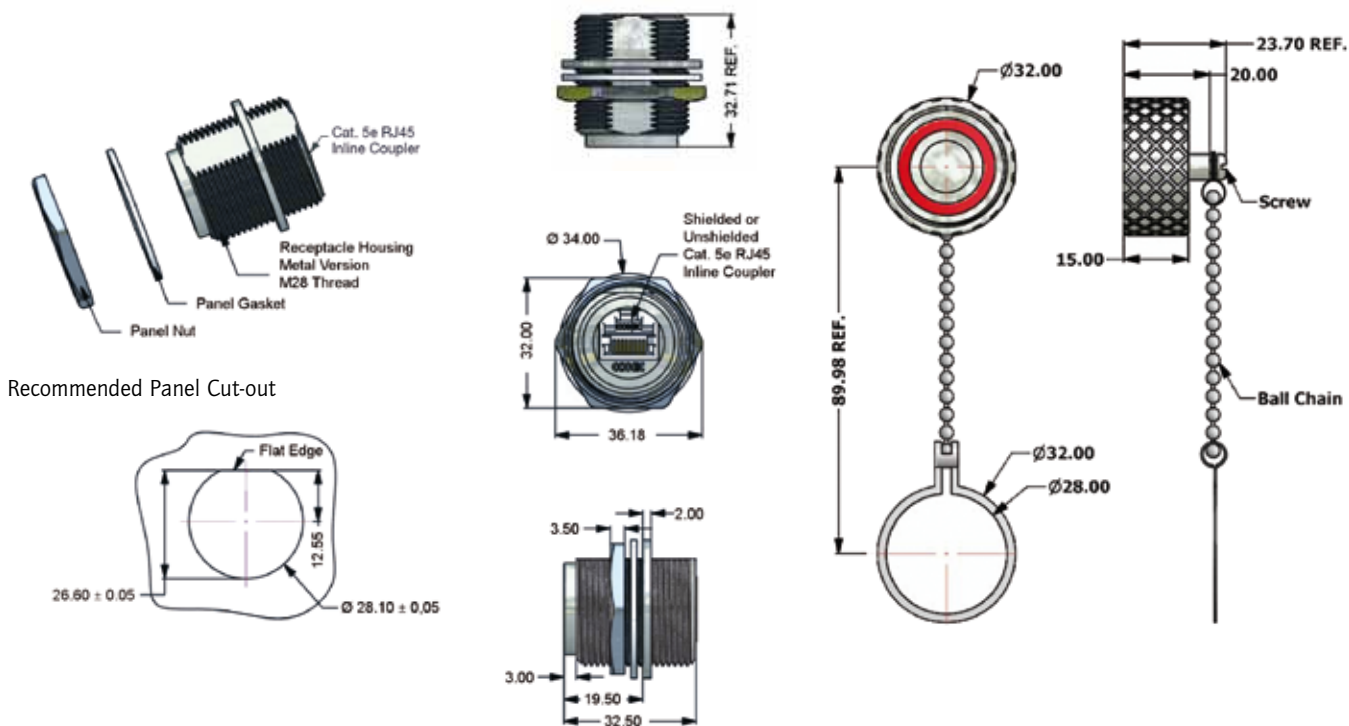


RoHS compliant

DESCRIPTION

- For front or rear panel mounting up to wall thickness of .013"/3.2 mm
- Metal version, brass nickel plated, M28 threaded connection
- Unshielded RJ45 Inline socket connector or shielded RJ45 Inline socket connector Cat.5e
- Protection cap M28 threaded termination
- Available as a set with protection cap

PRODUCT DRAWING

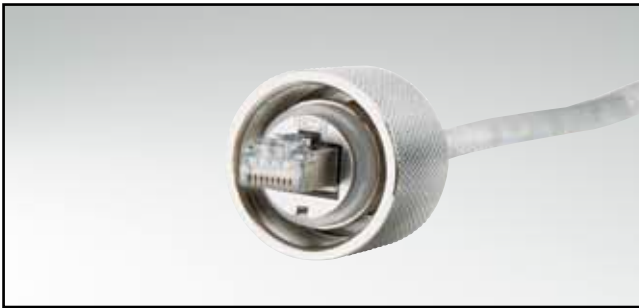


ORDER DATA

| Type | Material | RJ45 Cat.5e design | Protection cap | Part Number |
|---------|----------|------------------------------------|---------------------|-------------|
| Housing | Metal | Inline socket connector shielded | | 17-100934 |
| Housing | Metal | Inline socket connector unshielded | | 17-101494 |
| Housing | Metal | Inline socket connector shielded | With protection cap | 17-101604 |
| Housing | Metal | Inline socket connector unshielded | With protection cap | 17-101614 |

RJ45 PLUG CONNECTOR SET

Metal version – M28 threaded termination

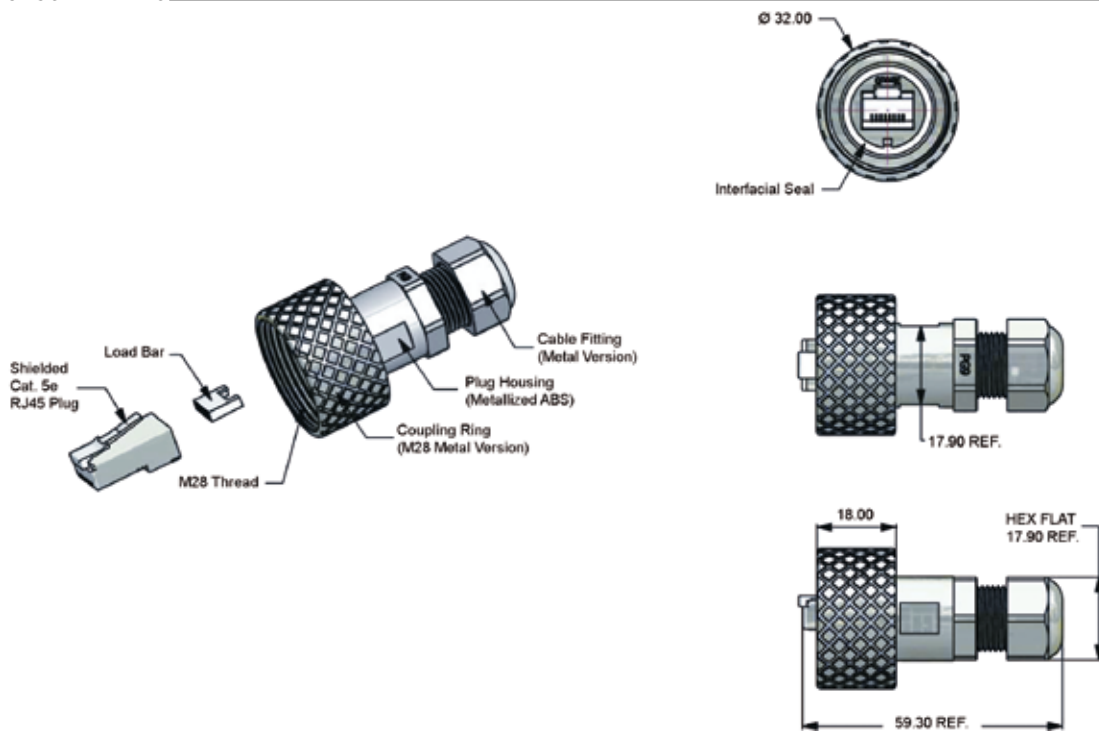


RoHS compliant

DESCRIPTION

- Shielded RJ45 plug connector Cat.5e
- For use with solid or stranded, shielded or unshielded cable size AWG24
- Metal connector fastening ring, M28 thread
- Housing: Metallized plastic

PRODUCT DRAWING



ORDER DATA

| Type | Material | RJ45 Cat.5e design | Part Number |
|--------------------|-------------------------------|---------------------------|-------------|
| Plug connector set | Metal housing / Coupling ring | Plug connector / Shielded | 17-100944 |

RJ45 PLUG CONNECTOR SET

M28 threaded termination – Plastic strain relief version

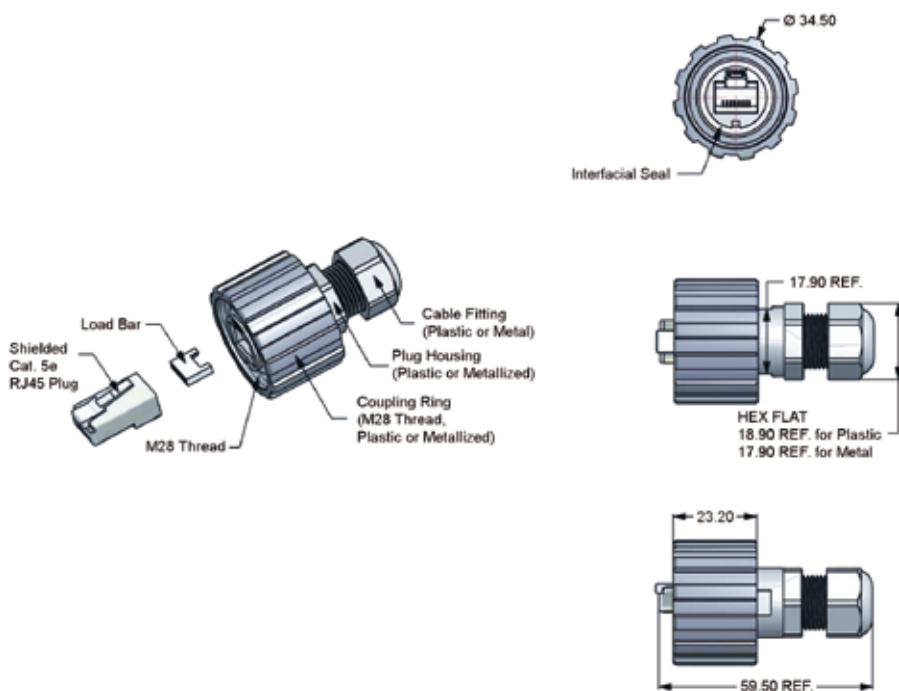


RoHS compliant

DESCRIPTION

- Shielded RJ45 plug connector Cat.5e
- For use with solid or stranded, shielded or unshielded cable size AWG24
- Threaded connection for application inside of enclosure (IP20)
- Designs:
 - M28 Housing and socket connector black plastic
 - M28 Housing and socket connector metallized plastic

PRODUCT DRAWING

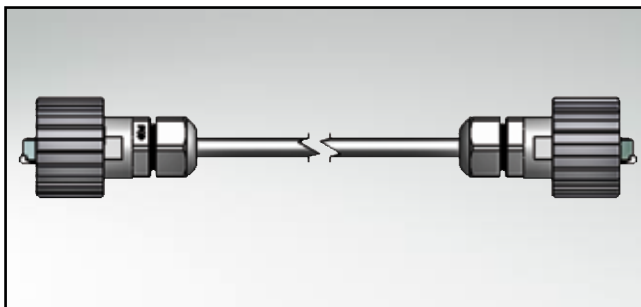


ORDER DATA

| Type | Material | RJ45 Cat.5e design | Part Number |
|--------------------|--|---------------------------|-------------|
| Plug connector set | Housing and socket connector: Black plastic | Plug connector / Shielded | 17-100464 |
| Plug connector set | Housing and socket connector: Metallized plastic | Plug connector / Shielded | 17-100474 |

RJ45 PATCH CORD

IP67 to IP67 – Plastic design – Bayonet plug connector

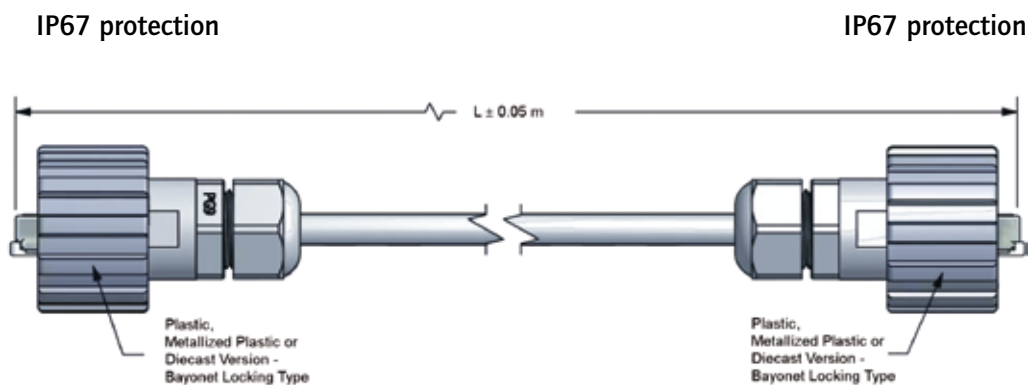


RoHS compliant

DESCRIPTION

- Field attachable patch cord
- 2 x Industrial RJ45-IP67
- Designs:
 - Housing and plug connector: Black plastic; Cable UTP* black
 - Housing and plug connector: Metallized plastic; Cable STP** black
 - Housing: Metallized plastic plug connector and screw connection zinc die-cast, cable: STP** black
- Outdoor version with cable "Drain wire" and "Waterproof tape"
- Special lengths on request

PRODUCT DRAWING



UTP= * unshielded twisted pair
STP= ** shielded twisted pair

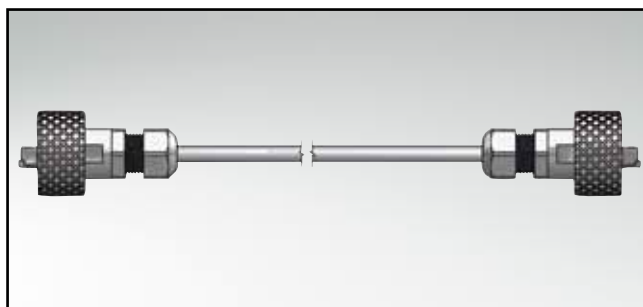
ORDER DATA

| Type Standard | Degree of protection | Material | Cable | Length (L) | Part Number |
|---------------|----------------------|---|------------------|------------|-------------|
| Patch cord | IP67 / IP67 | Black plastic | UTP / Unshielded | 2 m | 17-10003 |
| Patch cord | IP67 / IP67 | Black plastic | UTP / Unshielded | 4 m | 17-10004 |
| Patch cord | IP67 / IP67 | Black plastic | UTP / Unshielded | 5 m | 17-10005 |
| Patch cord | IP67 / IP67 | Metallized plastic | STP / Shielded | 2 m | 17-10025 |
| Patch cord | IP67 / IP67 | Metallized plastic | STP / Shielded | 4 m | 17-10026 |
| Patch cord | IP67 / IP67 | Metallized plastic | STP / Shielded | 5 m | 17-10027 |
| Patch cord | IP67 / IP67 | Metallized plastic / Plug connector and screw connection: zinc die-cast | STP / Shielded | 2 m | 17-100514 |
| Patch cord | IP67 / IP67 | Metallized plastic / Plug connector and screw connection: zinc die-cast | STP / Shielded | 4 m | 17-100524 |
| Patch cord | IP67 / IP67 | Metallized plastic / Plug connector and screw connection: zinc die-cast | STP / Shielded | 5 m | 17-100534 |

| Type Outdoor | Degree of protection | Material | Cable | Length (L) | Part Number |
|--------------|----------------------|---|------------------|------------|-------------|
| Patch cord | IP67 / IP67 | Black plastic | UTP / Unshielded | 2 m | 17-101144 |
| Patch cord | IP67 / IP67 | Black plastic | UTP / Unshielded | 4 m | 17-101154 |
| Patch cord | IP67 / IP67 | Black plastic | UTP / Unshielded | 5 m | 17-101164 |
| Patch cord | IP67 / IP67 | Metallized plastic | STP / Shielded | 2 m | 17-101174 |
| Patch cord | IP67 / IP67 | Metallized plastic | STP / Shielded | 4 m | 17-101184 |
| Patch cord | IP67 / IP67 | Metallized plastic | STP / Shielded | 5 m | 17-101194 |
| Patch cord | IP67 / IP67 | Metallized plastic / Plug connector and screw connection: zinc die-cast | STP / Shielded | 2 m | 17-101204 |
| Patch cord | IP67 / IP67 | Metallized plastic / Plug connector and screw connection: zinc die-cast | STP / Shielded | 4 m | 17-101214 |
| Patch cord | IP67 / IP67 | Metallized plastic / Plug connector and screw connection: zinc die-cast | STP / Shielded | 5 m | 17-101224 |

RJ45 PATCH CORD

IP67 to IP67 – Metal design – M28 plug connector screw termination

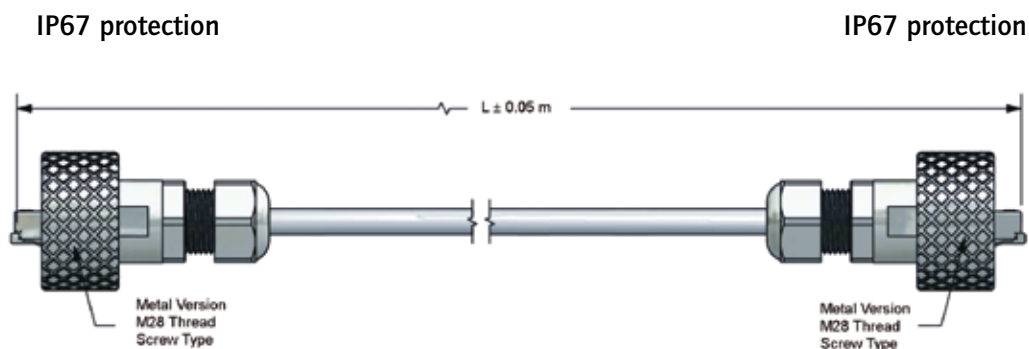


RoHS compliant

DESCRIPTION

- Field attachable patch cable
- 2 x Metal Industrial RJ45-IP67
- Designs:
 - Metal socket coupling ring Metal, M28 thread; Housing Metallized plastic; Cable UTP* black
 - Metal socket coupling ring Metal, M28 thread; Housing Metallized plastic; Cable STP** black
- Outdoor version with cable "Drain wire" and "Waterproof tape"
- Special lengths on request

PRODUCT DRAWING



UTP= * unshielded twisted pair
STP= ** shielded twisted pair

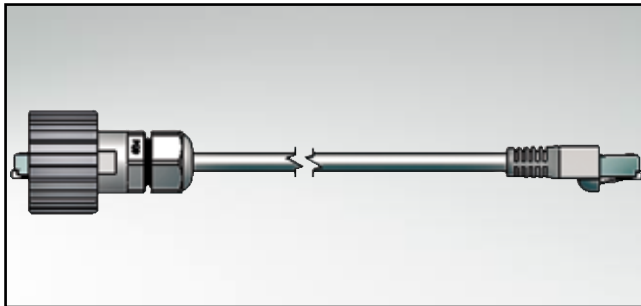
ORDER DATA

| Type Standard | Degree of protection | Material | Cable | Length (L) | Part Number |
|---------------|----------------------|---|--------------|------------|-------------|
| Patch cord | IP67/IP67 | M28 Metal plug coupling ring/Housing metallized plastic | STP/Shielded | 2 m | 17-100994 |
| Patch cord | IP67/IP67 | M28 Metal plug coupling ring/Housing metallized plastic | STP/Shielded | 4 m | 17-101004 |
| Patch cord | IP67/IP67 | M28 Metal plug coupling ring/Housing metallized plastic | STP/Shielded | 5 m | 17-101014 |

| Type Outdoor | Degree of protection | Material | Cable | Length (L) | Part Number |
|--------------|----------------------|---|----------------|------------|-------------|
| Patch cord | IP67/IP67 | M28 Metal plug coupling ring/Housing metallized plastic | UTP/Unshielded | 2 m | 17-101084 |
| Patch cord | IP67/IP67 | M28 Metal plug coupling ring/Housing metallized plastic | UTP/Unshielded | 4 m | 17-101094 |
| Patch cord | IP67/IP67 | M28 Metal plug coupling ring/Housing metallized plastic | UTP/Unshielded | 5 m | 17-101104 |
| Patch cord | IP67/IP67 | M28 Metal plug coupling ring/Housing metallized plastic | STP/Shielded | 2 m | 17-101114 |
| Patch cord | IP67/IP67 | M28 Metal plug coupling ring/Housing metallized plastic | STP/Shielded | 4 m | 17-101124 |
| Patch cord | IP67/IP67 | M28 Metal plug coupling ring/Housing metallized plastic | STP/Shielded | 5 m | 17-101134 |

RJ45 PATCH CORD

IP67 to IP20 – Plastic design – Bayonet plug connector

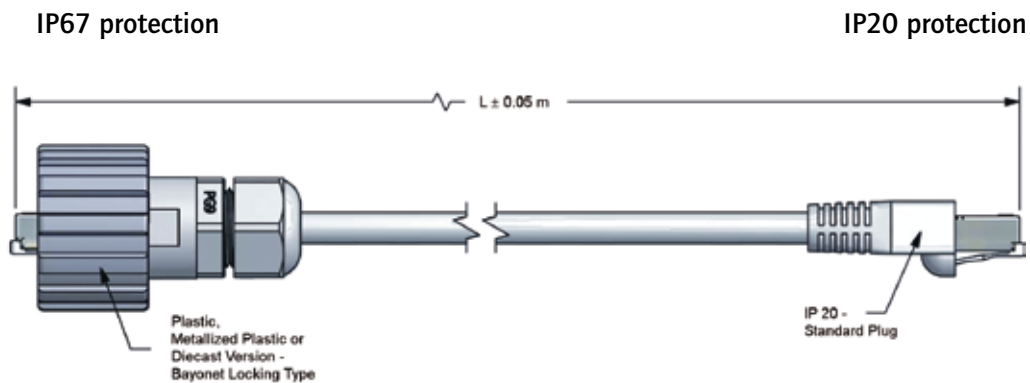


RoHS compliant

DESCRIPTION

- Field attachable patch cord
- 1 x Industrial RJ45-IP67 – 1 x Standard RJ45-IP20
- Designs:
 - Housing and plug connector: Black plastic; Cable: UTP* black
 - Housing and plug connector: Metallized plastic; Cable: STP** black
 - Housing: Metallized plastic; plug connector and screw connection zinc die-cast; Cable STP** black
- Outdoor version with cable "Drain wire" and "Waterproof tape"
- Special lengths on request

PRODUCT DRAWING



UTP= * unshielded twisted pair
STP= ** shielded twisted pair

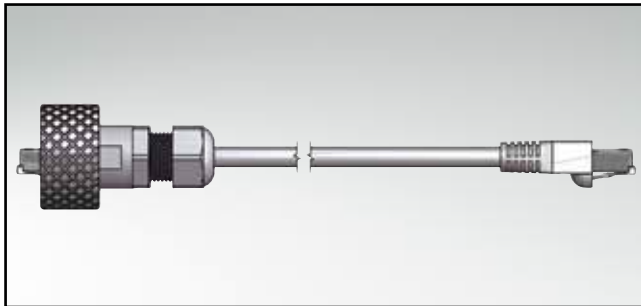
ORDER DATA

| Type Standard | Degree of protection | Material | Cable | Length (L) | Part Number |
|---------------|----------------------|---|------------------|------------|-------------|
| Patch cord | IP67 / IP20 | Black plastic | UTP / Unshielded | 2 m | 17-10006 |
| Patch cord | IP67 / IP20 | Black plastic | UTP / Unshielded | 4 m | 17-10007 |
| Patch cord | IP67 / IP20 | Black plastic | UTP / Unshielded | 5 m | 17-10008 |
| Patch cord | IP67 / IP20 | Metallized plastic | STP / Shielded | 2 m | 17-10028 |
| Patch cord | IP67 / IP20 | Metallized plastic | STP / Shielded | 4 m | 17-10029 |
| Patch cord | IP67 / IP20 | Metallized plastic | STP / Shielded | 5 m | 17-10030 |
| Patch cord | IP67 / IP20 | Metallized plastic / Plug connector and screw connection: zinc die-cast | STP / Shielded | 2 m | 17-101264 |
| Patch cord | IP67 / IP20 | Metallized plastic / Plug connector and screw connection: zinc die-cast | STP / Shielded | 4 m | 17-101274 |
| Patch cord | IP67 / IP20 | Metallized plastic / Plug connector and screw connection: zinc die-cast | STP / Shielded | 5 m | 17-101284 |

| Type Outdoor | Degree of protection | Material | Cable | Length (L) | Part Number |
|--------------|----------------------|---|------------------|------------|-------------|
| Patch cord | IP67 / IP20 | Black plastic | UTP / Unshielded | 2 m | 17-101234 |
| Patch cord | IP67 / IP20 | Black plastic | UTP / Unshielded | 4 m | 17-101244 |
| Patch cord | IP67 / IP20 | Black plastic | UTP / Unshielded | 5 m | 17-101254 |
| Patch cord | IP67 / IP20 | Metallized plastic | STP / Shielded | 2 m | 17-101264 |
| Patch cord | IP67 / IP20 | Metallized plastic | STP / Shielded | 4 m | 17-101274 |
| Patch cord | IP67 / IP20 | Metallized plastic | STP / Shielded | 5 m | 17-101284 |
| Patch cord | IP67 / IP20 | Metallized plastic / Plug connector and screw connection: zinc die-cast | STP / Shielded | 2 m | 17-101294 |
| Patch cord | IP67 / IP20 | Metallized plastic / Plug connector and screw connection: zinc die-cast | STP / Shielded | 4 m | 17-101304 |
| Patch cord | IP67 / IP20 | Metallized plastic / Plug connector and screw connection: zinc die-cast | STP / Shielded | 5 m | 17-101314 |

RJ45 PATCH CORD

IP67 to IP20 – Metal design – M28 plug connector screw termination

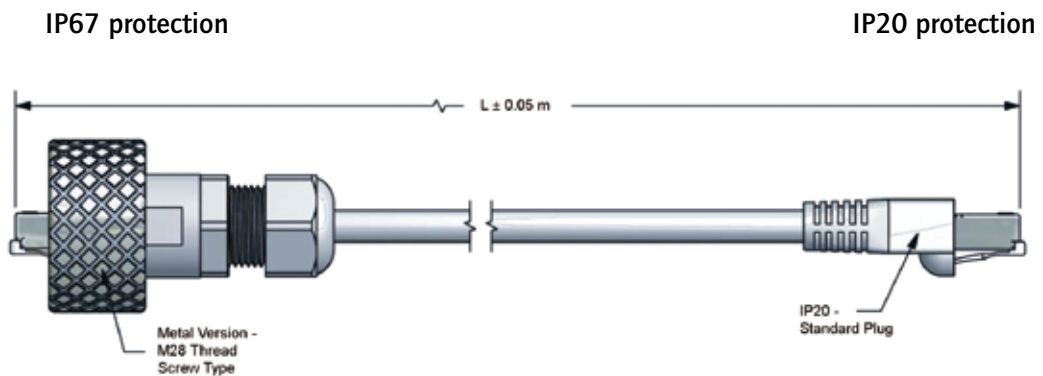


RoHS compliant

DESCRIPTION

- Field attachable patch cord
- 1 x Metal Industrial RJ45-IP67 – 1 x Standard RJ45-IP20
- Designs:
 - Metal plug coupling ring, M28 thread; Housing metallized plastic; Cable UTP* black
 - Metal plug coupling ring, M28 thread; Housing metallized plastic; Cable STP** black
- Outdoor version with cable "Drain wire" and "Waterproof tape"
- Special lengths on request

PRODUCT DRAWING



UTP= * unshielded twisted pair
STP= ** shielded twisted pair

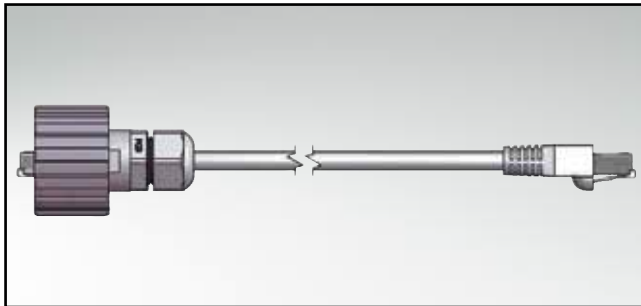
ORDER DATA

| Type Standard | Degree of protection | Material | Cable | Length (L) | Part Number |
|---------------|----------------------|---|--------------|------------|-------------|
| Patch cord | IP67/IP20 | M28 Metal plug coupling ring/Housing metallized plastic | STP/Shielded | 2 m | 17-100964 |
| Patch cord | IP67/IP20 | M28 Metal plug coupling ring/Housing metallized plastic | STP/Shielded | 4 m | 17-100974 |
| Patch cord | IP67/IP20 | M28 Metal plug coupling ring/Housing metallized plastic | STP/Shielded | 5 m | 17-100984 |

| Type Outdoor | Degree of protection | Material | Cable | Length (L) | Part Number |
|--------------|----------------------|---|----------------|------------|-------------|
| Patch cord | IP67/IP20 | M28 Metal plug coupling ring/Housing metallized plastic | UTP/Unshielded | 2 m | 17-101024 |
| Patch cord | IP67/IP20 | M28 Metal plug coupling ring/Housing metallized plastic | UTP/Unshielded | 4 m | 17-101034 |
| Patch cord | IP67/IP20 | M28 Metal plug coupling ring/Housing metallized plastic | UTP/Unshielded | 5 m | 17-101044 |
| Patch cord | IP67/IP20 | M28 Metal plug coupling ring/Housing metallized plastic | STP/Shielded | 2 m | 17-101054 |
| Patch cord | IP67/IP20 | M28 Metal plug coupling ring/Housing metallized plastic | STP/Shielded | 4 m | 17-101064 |
| Patch cord | IP67/IP20 | M28 Metal plug coupling ring/Housing metallized plastic | STP/Shielded | 5 m | 17-101074 |

RJ45 PATCH CORD

IP20 to IP20 – Plastic design – M28 screw termination

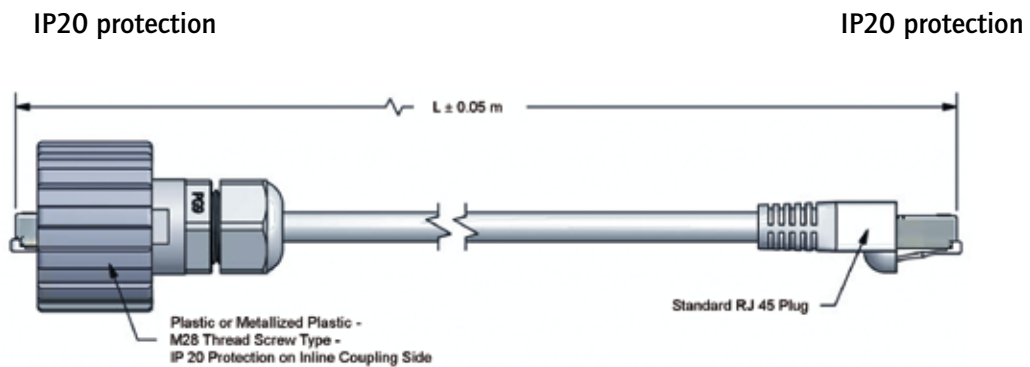


RoHS compliant

DESCRIPTION

- Field attachable patch cord
- 1 x Industrial RJ45 plug connector for screw termination (IP20)
- 1 x Standard RJ45 (IP20)
- Designs:
 - Housing and plug connector black plastic; Cable UTP* black
 - Housing and plug connector metallized plastic; Cable STP** black
- Special lengths on request

PRODUCT DRAWING



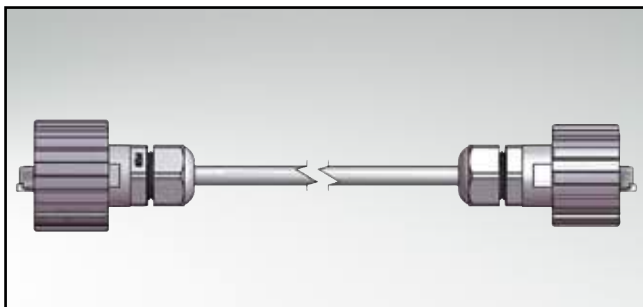
UTP= * unshielded twisted pair
STP= ** shielded twisted pair

ORDER DATA

| Type Standard | Degree of protection | Material | Cable | Length (L) | Part Number |
|---------------|----------------------|--------------------|----------------|------------|-------------|
| Patch cord | IP20/IP20 | Black plastic | UTP/Unshielded | 2 m | 17-100574 |
| Patch cord | IP20/IP20 | Black plastic | UTP/Unshielded | 4 m | 17-100584 |
| Patch cord | IP20/IP20 | Black plastic | UTP/Unshielded | 5 m | 17-100594 |
| Patch cord | IP20/IP20 | Metallized plastic | STP/Shielded | 2 m | 17-100604 |
| Patch cord | IP20/IP20 | Metallized plastic | STP/Shielded | 4 m | 17-100614 |
| Patch cord | IP20/IP20 | Metallized plastic | STP/Shielded | 5 m | 17-100624 |

RJ45 PATCH CORD

IP20 to IP67 – One side M28 threaded and one side bayonet locking

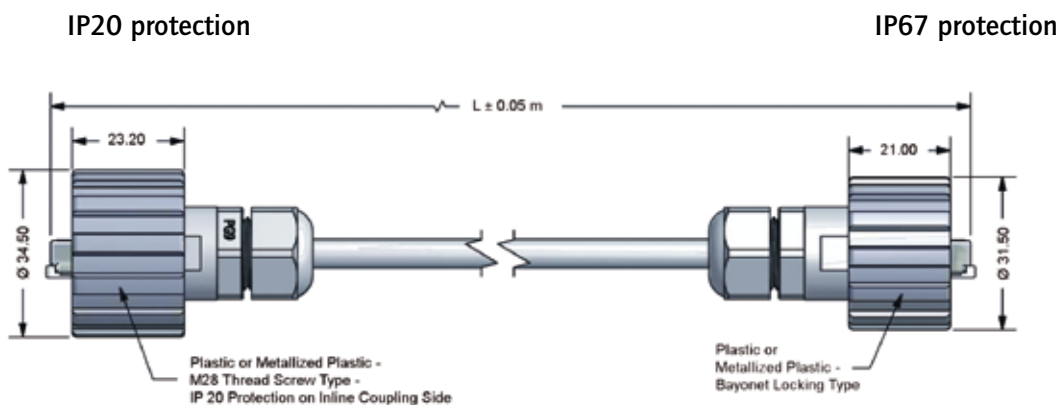


RoHS compliant

DESCRIPTION

- Field attachable patch cord
- 1x RJ45 IP67 plug connector with bayonet locking
- 1x RJ45 IP67 plug connector with M28 coupling RWG
- Designs:
 - Housing and socket connector black plastic; Cable UTP* black
 - Housing and socket connector metallized plastic; Cable STP** black
- Outdoor version with cable "Drain wire" and "Waterproof tape"
- Special lengths on request

PRODUCT DRAWING



UTP= * unshielded twisted pair
STP= ** shielded twisted pair

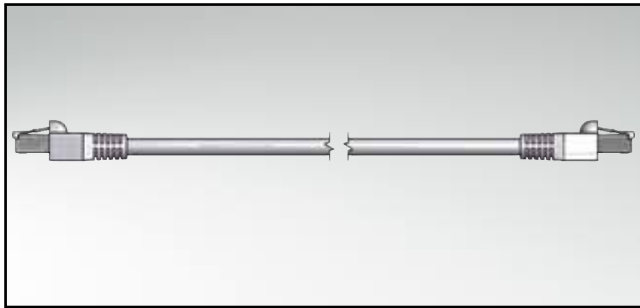
ORDER DATA

| Type Standard | Degree of protection | Material | Cable | Length (L) | Part Number |
|---------------|----------------------|--------------------|----------------|------------|-------------|
| Patch cord | IP20/IP67 | Black plastic | UTP/Unshielded | 2 m | 17-101374 |
| Patch cord | IP20/IP67 | Black plastic | UTP/Unshielded | 4 m | 17-101384 |
| Patch cord | IP20/IP67 | Black plastic | UTP/Unshielded | 5 m | 17-101394 |
| Patch cord | IP20/IP67 | Metallized plastic | STP/Shielded | 2 m | 17-101434 |
| Patch cord | IP20/IP67 | Metallized plastic | STP/Shielded | 4 m | 17-101444 |
| Patch cord | IP20/IP67 | Metallized plastic | STP/Shielded | 5 m | 17-101454 |

| Type Outdoor | Degree of protection | Material | Cable | Length (L) | Part Number |
|--------------|----------------------|--------------------|----------------|------------|-------------|
| Patch cord | IP20/IP67 | Black plastic | UTP/Unshielded | 2 m | 17-101404 |
| Patch cord | IP20/IP67 | Black plastic | UTP/Unshielded | 4 m | 17-101414 |
| Patch cord | IP20/IP67 | Black plastic | UTP/Unshielded | 5 m | 17-101424 |
| Patch cord | IP20/IP67 | Metallized plastic | STP/Shielded | 2 m | 17-101464 |
| Patch cord | IP20/IP67 | Metallized plastic | STP/Shielded | 4 m | 17-101474 |
| Patch cord | IP20/IP67 | Metallized plastic | STP/Shielded | 5 m | 17-101484 |

RJ45 PATCH CORD

IP20 to IP20

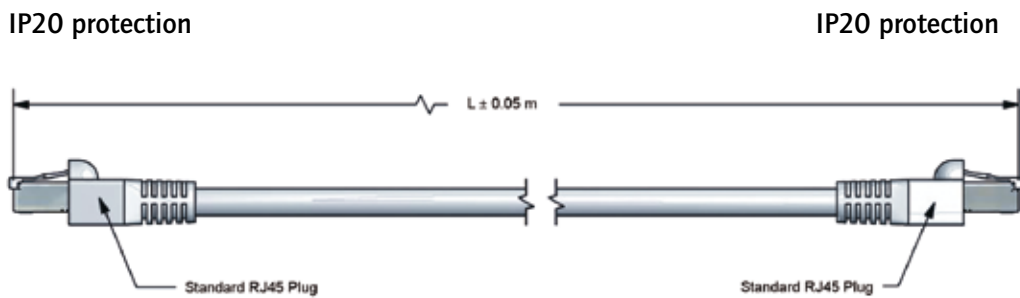


RoHS compliant

DESCRIPTION

- Field attachable patch cord
- 2 x Standard RJ45 IP20
- Design:
 - Cat.5e RJ45 plug connector; cable STP* black or cable UTP** black
 - Additional cable colors: black, blue, red, green, yellow and white
- Special lengths on request

PRODUCT DRAWING



UTP= * unshielded twisted pair
STP= ** shielded twisted pair

ORDER DATA

| Type Standard | Degree of protection | Cable | Colour | Length (L) | Part Number |
|---------------|----------------------|----------------|--------|------------|-------------|
| Patch cord | IP20/IP20 | STP/shielded | Black | 2 m | 17-101324 |
| Patch cord | IP20/IP20 | STP/shielded | Black | 4 m | 17-101334 |
| Patch cord | IP20/IP20 | STP/shielded | Black | 5 m | 17-101344 |
| Patch cord | IP20/IP20 | UTP/unshielded | Black | 2 m | 17-100654 |
| Patch cord | IP20/IP20 | UTP/unshielded | Black | 4 m | 17-100664 |
| Patch cord | IP20/IP20 | UTP/unshielded | Black | 5 m | 17-100674 |
| Patch cord | IP20/IP20 | UTP/unshielded | Blue | 2 m | 17-100684 |
| Patch cord | IP20/IP20 | UTP/unshielded | Blue | 4 m | 17-100694 |
| Patch cord | IP20/IP20 | UTP/unshielded | Blue | 5 m | 17-100704 |
| Patch cord | IP20/IP20 | UTP/unshielded | Red | 2 m | 17-100714 |
| Patch cord | IP20/IP20 | UTP/unshielded | Red | 4 m | 17-100724 |
| Patch cord | IP20/IP20 | UTP/unshielded | Red | 5 m | 17-100734 |
| Patch cord | IP20/IP20 | UTP/unshielded | Green | 2 m | 17-100744 |
| Patch cord | IP20/IP20 | UTP/unshielded | Green | 4 m | 17-100754 |
| Patch cord | IP20/IP20 | UTP/unshielded | Green | 5 m | 17-100764 |
| Patch cord | IP20/IP20 | UTP/unshielded | Yellow | 2 m | 17-100774 |
| Patch cord | IP20/IP20 | UTP/unshielded | Yellow | 4 m | 17-100784 |
| Patch cord | IP20/IP20 | UTP/unshielded | Yellow | 5 m | 17-100794 |
| Patch cord | IP20/IP20 | UTP/unshielded | White | 2 m | 17-100804 |
| Patch cord | IP20/IP20 | UTP/unshielded | White | 4 m | 17-100814 |
| Patch cord | IP20/IP20 | UTP/unshielded | White | 5 m | 17-100824 |

RJ45 ACCESSORIES

Plastic and metal cap – Protection cap



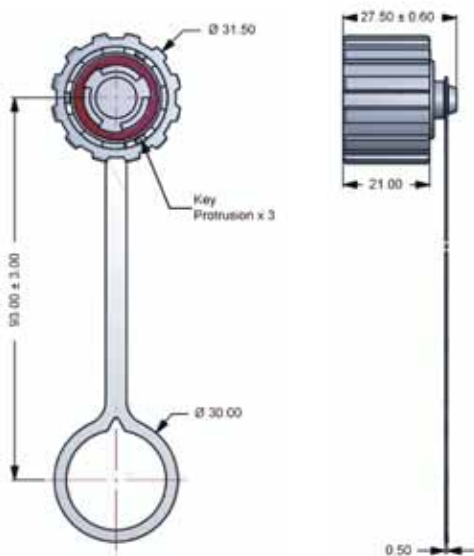
RoHS compliant

DESCRIPTION

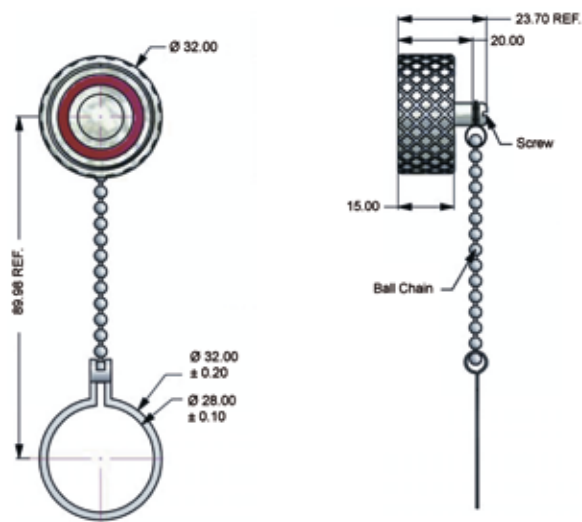
- IP67 rated
- Cap black plastic, metallized plastic with bayonet locking
- Metal cap with M28 thread

PRODUCT DRAWING

Plastic or metal design – Bayonet locking



Metal cap – M28 thread

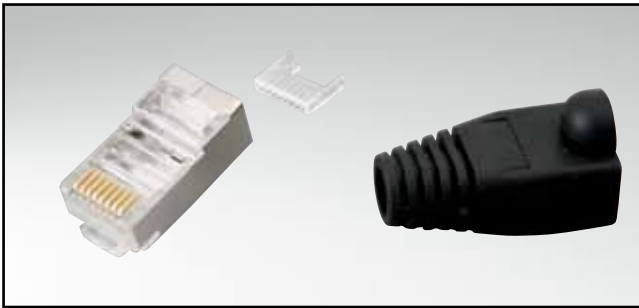


ORDER DATA

| Accessories | Part Number |
|---|-------------|
| Protection cap/Black plastic/Bayonet locking | 17-10002 |
| Protection cap/Metallized plastic/Bayonet locking | 17-10014 |
| Protection cap/Full metal/M28 Screw thread | 17-100950 |

ACCESSORIES

For RJ45 products



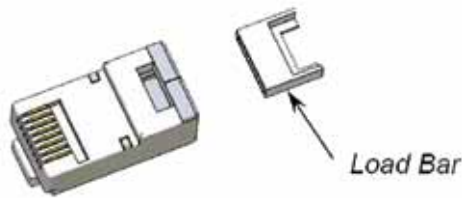
RoHS compliant

DESCRIPTION

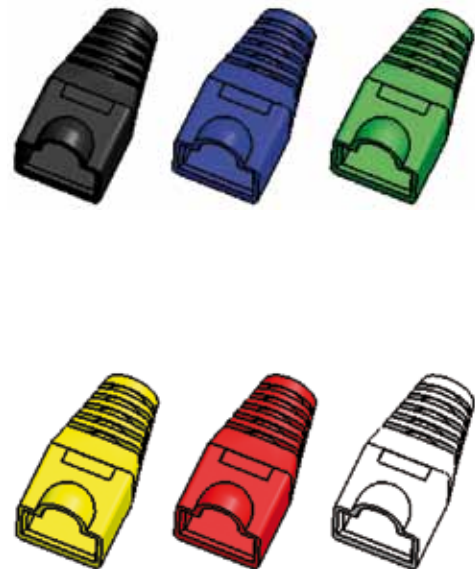
- RJ45 plug connector Cat. 5e shielded
- Grommets black, blue, green, yellow, red and white color

PRODUCT DRAWING

RJ45 Cat.5e Plug connector, shielded



Grommets



ORDER DATA

| Accessories | Part Number |
|--------------------------------------|-------------|
| RJ45 Cat5e. Plug connector, shielded | 391J00039 X |
| Plug connector grommet black | 795-601302 |
| Plug connector grommet blue | 795-601303 |
| Plug connector grommet green | 795-601304 |
| Plug connector grommet yellow | 795-601305 |
| Plug connector grommet red | 795-601306 |
| Plug connector grommet white | 795-601307 |

INSTALLATION TOOLS

For RJ45 products



RoHS compliant

DESCRIPTION

- RJ45 plug connector crimp tool
- Insertion tool for RJ45 IDC version
- Cable tester

PRODUCT DRAWING

RJ45 plug connector crimp tool



Multi-Modular cable tester



Insertion tool for RJ45 IDC version



ORDER DATA

| Tools | Part Number |
|---|-------------|
| Crimp tool for RJ45 plug connector | 360X30029 X |
| Insertion tool for RJ45 insulation displacement termination version (IDC) | 360X30049 X |
| Cable tester | 360X30039 X |