

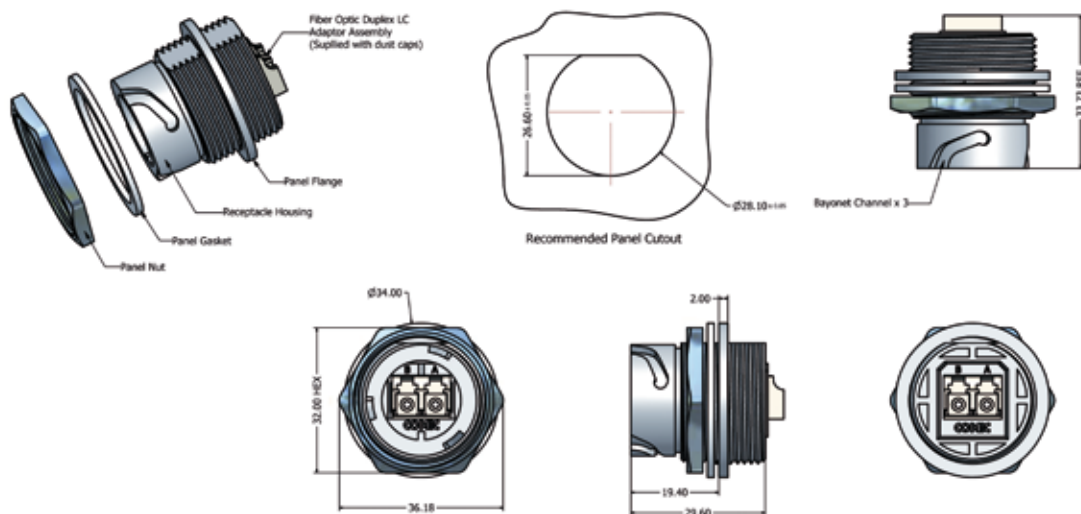
IP67 FIBER OPTIC INDUSTRIAL DUPLEX LC CONNECTOR

Receptacle Assembly Kit



CHARACTERISTICS

- industrial version with bayonet coupling
- for front or rear panel mount to a max. panel thickness of 3,2 mm
- receptacle housing: polyester (black); UL 94 V-0
- panel nut: brass, nickel plated
- panel gasket: silicone (white)
- duplex LC adaptor assembly with dust caps
- operating temperature: -40°C to +85°C



ORDER TABLE

Type	Material	SM/ MM	Part Number
Receptacle assembly kit	plastic, black	Single Mode	17-300010
Receptacle assembly kit	plastic, black	Multi Mode	17-300020

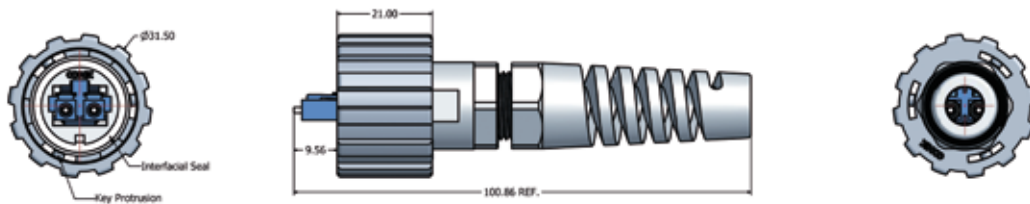
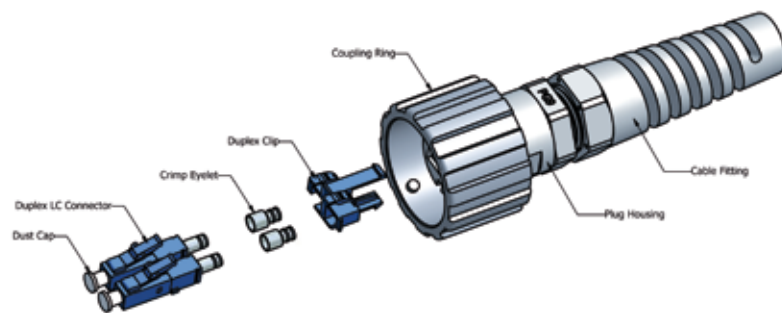
IP67 FIBER OPTIC INDUSTRIAL DUPLEX LC CONNECTOR Plug Kit

Plug Kit



CHARACTERISTICS

- plug kit with bayonet coupling ring
- material: polyester (black), UL94 V-0
- duplex LC connector with dust caps
- operating temperature: -40°C to +85°C

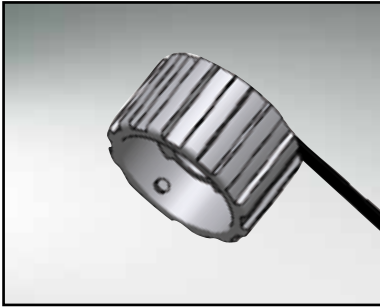


ORDER TABLE

Type	Material	SM/ MM	Part Number
Plug kit	plastic, black	Single Mode	17-300030
Plug kit	plastic, black	Multi Mode	17-300040

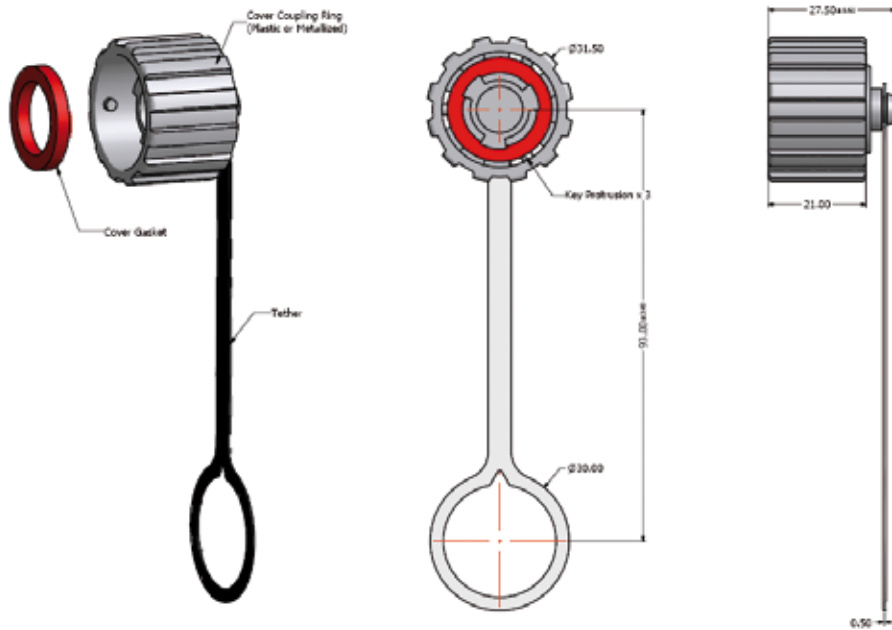
IP67 FIBER OPTIC INDUSTRIAL DUPLEX LC CONNECTOR

Protective cover for receptacle



CHARACTERISTICS

- IP67 protection for unmated connectors
- material protective cover: polyester (black); UL 94 V-0
- material tether: polycarbonate (black)
- operating temperature: -40°C to +85°C

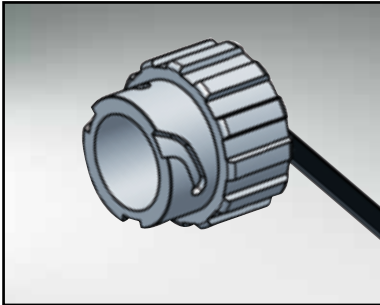


ORDER TABLE

Type	Material	Part Number
Protective cover receptacle	plastic, black	17-10002

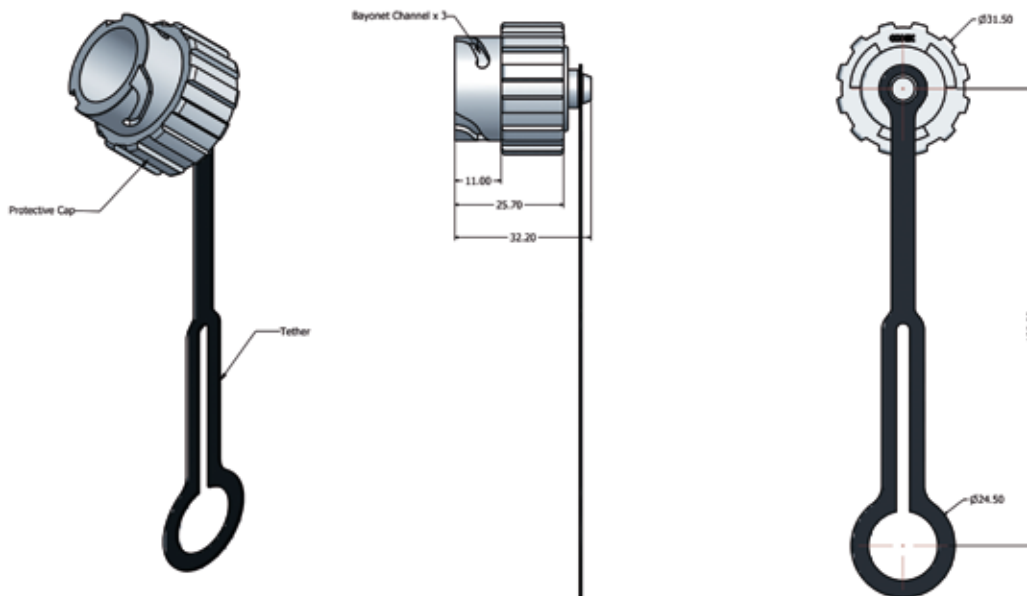
IP67 FIBER OPTIC INDUSTRIAL DUPLEX LC CONNECTOR

Protective cover for plug



CHARACTERISTICS

- IP67 protection for unmated plug assemblies
- material protective cover: polyester (black); UL 94 V-0
- material tether: polycarbonate (black)
- operating temperature: -40°C to +85°C



ORDER TABLE

Type	Material	Part Number
Protective cover receptacle	plastic, black	17-300050