

# D-SUB STANDARD

Crimp body (without contacts) – For wire size AWG 24...20 and AWG 28...24

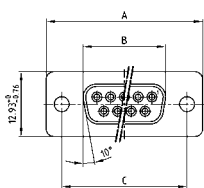


RoHS compliant – CSA listed, File No.: LR 115000-1 – UL listed, File No.: E202784

## DESCRIPTION

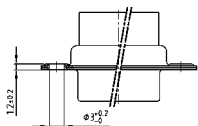
- For machined and stamped contacts, **AWG 24...20 and AWG 28...24**
- Mounting styles:
  - with through-hole, Ø .118" / 3 mm
  - with 4-40 UNC or M3 threaded insert
- Shell: Steel tin plated (brass tin plated or stainless steel available on request)

## SOCKET CONNECTOR



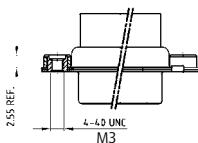
No. of pos.	A -0.76	B -0.25	C
09	31.19	16.46	25.00 +0.12
15	39.52	24.79	33.30 +0.15 -0.10
25	53.42	38.50	47.04 ±0.13
37	69.70	54.96	63.50 ±0.13
50	67.31	52.55	61.10 +0.14 -0.11

Mounting style: Through-hole

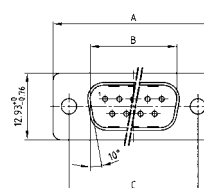


50 pos. = Dim. in ( \_ )

Mounting style: Threaded insert

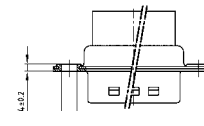


## PLUG CONNECTOR



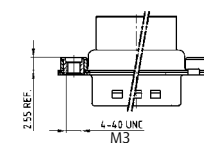
No. of pos.	A -0.76	B -0.25	C	D -0.3
09	31.19	16.79	25.00 +0.12	6.12
15	39.52	25.12	33.30 +0.15 -0.10	6.12
25	53.42	38.84	47.04 ±0.13	5.99
37	69.70	55.30	63.50 ±0.13	5.99
50	67.31	52.68	61.10 +0.14 -0.11	5.99

Mounting style: Through-hole



50 pos. = Dim. in ( \_ )

Mounting style: Threaded insert



## ORDER DATA

SOCKET CONNECTOR		
No. of pos.	Mounting style	Part Number
09	Through-hole	164X 11769 X
15	Through-hole	164X 11779 X
25	Through-hole	164X 11789 X
37	Through-hole	164X 11799 X
50	Through-hole	164X 11809 X
09	4-40 UNC Threaded insert	DSS 1XSXXG04 X
15	4-40 UNC Threaded insert	DSS 2XSXXG04 X
25	4-40 UNC Threaded insert	DSS 3XSXXG04 X
37	4-40 UNC Threaded insert	DSS 4XSXXG04 X
50	4-40 UNC Threaded insert	DSS 5XSXXG04 X
09	M3 Threaded insert	DSS 1XSXXG03 X
15	M3 Threaded insert	DSS 2XSXXG03 X
25	M3 Threaded insert	DSS 3XSXXG03 X
37	M3 Threaded insert	DSS 4XSXXG03 X
50	M3 Threaded insert	DSS 5XSXXG03 X

PLUG CONNECTOR		
No. of pos.	Mounting style	Part Number
09	Through-hole	163X 10019 X
15	Through-hole	163X 10029 X
25	Through-hole	163X 10039 X
37	Through-hole	163X 10049 X
50	Through-hole	163X 10059 X
09	4-40 UNC Threaded insert	DSS 1XPXXG04 X
15	4-40 UNC Threaded insert	DSS 2XPXXG04 X
25	4-40 UNC Threaded insert	DSS 3XPXXG04 X
37	4-40 UNC Threaded insert	DSS 4XPXXG04 X
50	4-40 UNC Threaded insert	DSS 5XPXXG04 X
09	M3 Threaded insert	DSS 1XPXXG03 X
15	M3 Threaded insert	DSS 2XPXXG03 X
25	M3 Threaded insert	DSS 3XPXXG03 X
37	M3 Threaded insert	DSS 4XPXXG03 X
50	M3 Threaded insert	DSS 5XPXXG03 X



Tel: +44 (0)1962 773004  
 Fax: +44 (0)1962 773104

[sales@in2connect.uk.com](mailto:sales@in2connect.uk.com)  
[www.in2connect.uk.com](http://www.in2connect.uk.com)

# D-SUB STANDARD

Crimp Contacts – Machined or stamped – For wire size AWG 24...20 and AWG 28...24

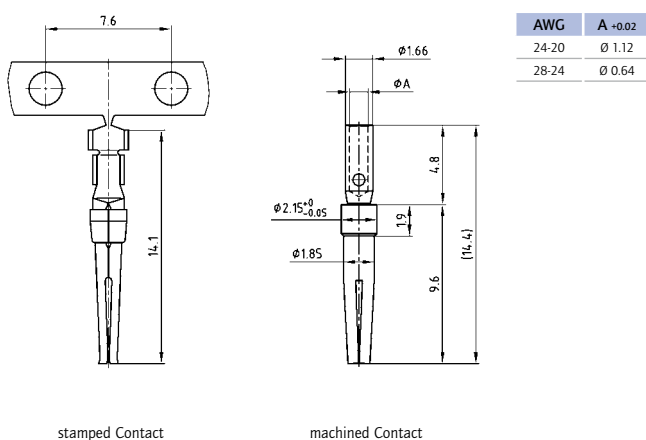


RoHS compliant – CSA listed, File No.: LR 115000-1 – UL listed, File No.: E202784

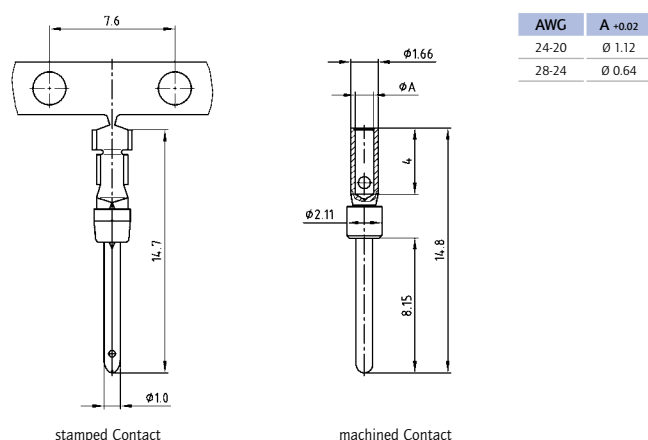
## DESCRIPTION

- For wire size **AWG 24...20** and **AWG 28...24**
- Stamped contacts with reel length of 500 or 10,000 contacts
- Loose contacts, machined and stamped, in poly bag (500 pieces)
- Quality class 3 (also available in quality class 1)

## FEMALE CONTACT



## MALE CONTACT



## Technical Data

Contact material Precision machined contacts	Brass
Contact material Stamped contacts	Phosphor bronze
Contact plating Precision machined contacts	Gold plated over nickel
Contact plating Stamped contacts	Selective gold plated
Temperature range	-55°C to +125°C
Rated current for AWG 24...20	7.5 A
Rated current for AWG 28...24	5 A
Contact resistance	≤ 10 mΩ

## ORDER DATA

FEMALE CONTACTS	
Contact type / AWG	Part Number
Stamped / 24...20 / Big reel wheeled left (10.000)	162 A 11819 X
Stamped / 24...20 / Big reel wheeled right (10.000)	162 A 11829 X
Stamped / 24...20 / Small reel wheeled right (500)	162 A 11839 X
Stamped / 24...20 / Loose contacts (500)	162 A 11849 X
Machined / 24...20 / Loose contacts (500)	162 A 18709 X
Stamped / 28...24 / Big reel wheeled left (10.000)	162 A 11859 X
Stamped / 28...24 / Big reel wheeled right (10.000)	162 A 11869 X
Stamped / 28...24 / small reel wheeled right (500)	162 A 11879 X
Stamped / 28...24 / Loose contacts (500)	162 A 11889 X
Machined / 28...24 / Loose contacts (500)	162 A 18719 X

MALE CONTACTS	
Contact type / AWG	Part Number
Stamped / 24...20 / Big reel wheeled left (10.000)	161 A 13369 X
Stamped / 24...20 / Big reel wheeled right (10.000)	161 A 13379 X
Stamped / 24...20 / Small reel wheeled right (500)	161 A 13389 X
Stamped / 24...20 / Loose contacts (500)	161 A 13399 X
Machined / 24...20 / Loose contacts (500)	161 A 18299 X
Stamped / 28...24 / Big reel wheeled left (10.000)	161 A 13409 X
Stamped / 28...24 / Big reel wheeled right (10.000)	161 A 13419 X
Stamped / 28...24 / Small reel wheeled right (500)	161 A 13429 X
Stamped / 28...24 / Loose contacts (500)	161 A 13439 X
Machined / 28...24 / Loose contacts (500)	161 A 18309 X