

SERIES 91

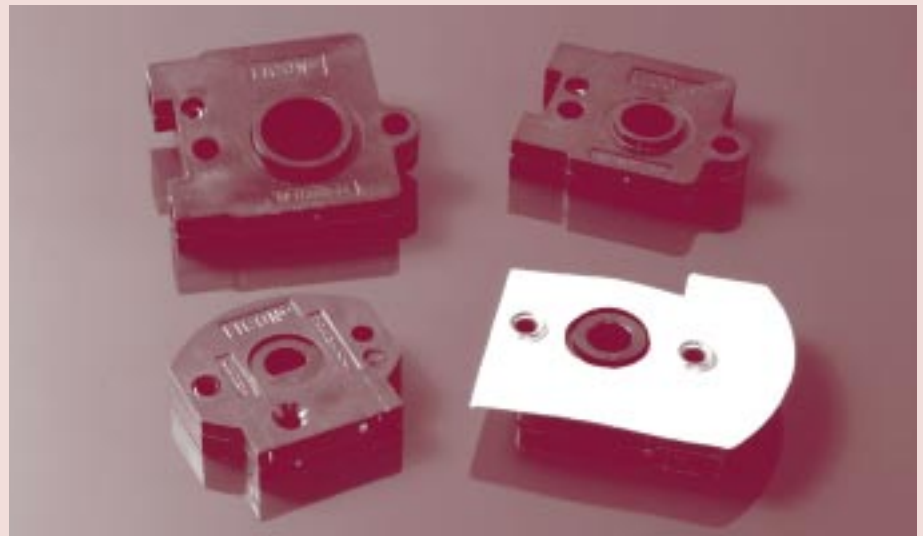
Rotary & Snap Action

Technical Data



IN2CONNECT
ELECTRONIC CONNECTORS

Tel: +44(0)1962 773004
Fax: +44(0)1962 773104
sales@in2connect.uk.com
www.in2connect.uk.com



Series 91

These small, easy to fit switches are designed specifically for the gas ignition industry, to fit on taps or thermostats on gas hobs, ovens or combinations, as well as gas fires.

With a range of standard cam arrangements to choose from and a number of shaft sizes, it is likely we can support your needs from standard products, but customisation is available at minimal extra cost.

Features

- High temperature specification
- High reliability
- Silver contact material as a non-standard option for low resistance applications
- Choice of rotary or snap action
- Custom designs available at minimal extra cost
- Full BEAB approval

Other Associated Products

- Series 19N Microswitch
- A range of gas ignition igniters is available – please ask for details
- A complete electronic design capability for circuit boards, complete panels with or without a user interface (membrane or individual switches)

Mechanical

Life Up to 100,000 cycles

Electrical

Snap action	Rotary
250volt 250ma max resistive	250volt 100ma max resistive
20m ohms max with 2 microns of silver on the contacts	

Environmental & Physical

Temperature	Up to 125°C
Body material	30% glass filled PBT
Contact material	Phosphor Bronze Option of 2 microns of Silver
Terminals – Quick connect	Brass, 2,8mm AMP

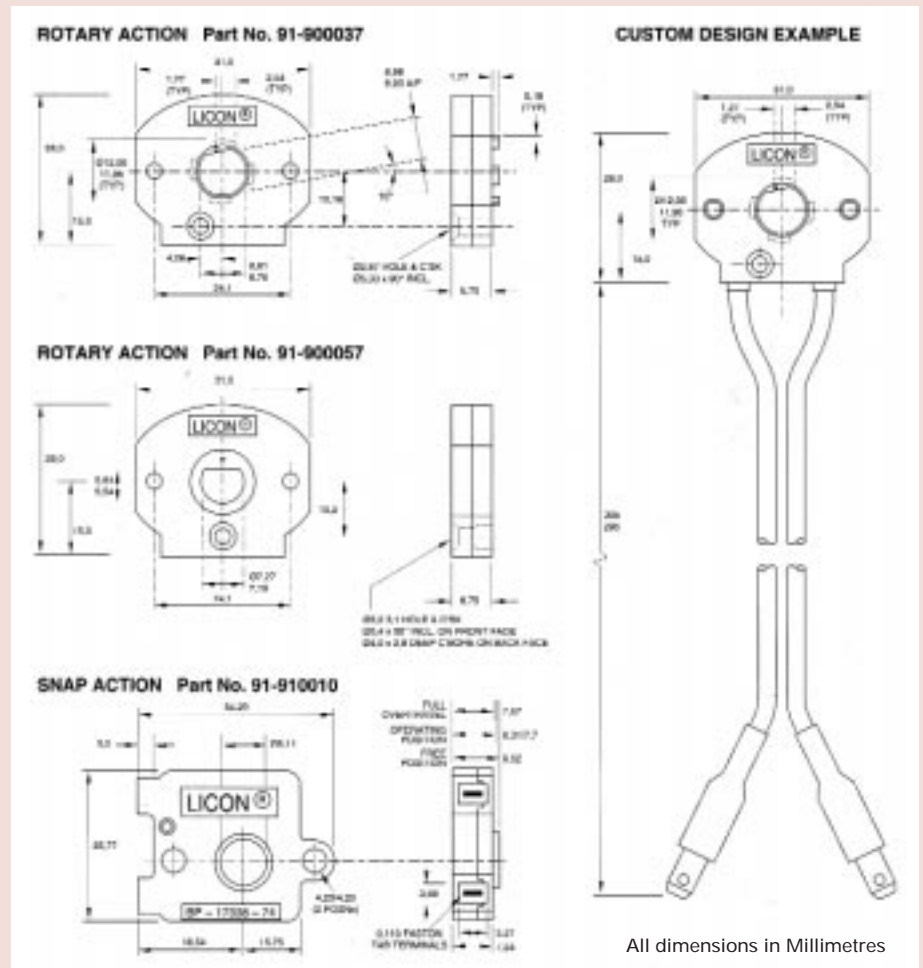
Ordering Information

Please contact the Sales Office

SERIES 91 Rotary & Snap Action

Technical Data

Product Drawings



Further Information

For further information on our complete range of switch products, visit our website – www.itswitchcon.com or contact our Sales Office.