

SNAP ACTION

CUSTOM ASSEMBLIES

PUSH BUTTON

SEALED

ROCKER

INDICATOR

SLIDE

VANDAL RESISTANT

ILLUMINATED

ACTIVE TOUCH

Series 48 ss



Miniature Hall-Effect Sealed Pushbutton Switches

This rugged sealed pushbutton switch uses a Hall-Effect sensor to achieve extremely long life, up to 1,000,000 cycles momentary. This switch is suited for harsh environments where long life and reliability are needed, and offers a wide choice of mounting style, colours, terminations, lighting and momentary or maintained switching.

Key Features

- 1,000,000 cycles momentary
- Momentary and maintained action
- Hall-Effect technology
- Panel sealed to IP67
- Square and round bezel versions available
- Large choice of button colours
- Solder or PC terminals
- Choice of LED colours or non-illuminated versions

Typical Applications

- Communications
- Data entry
- Hand-held control modules
- Outdoor controls
- Mass transport controls
- Instrumentation

Tel: +44(0)1962 773004
 Fax: +44(0)1962 773104
sales@in2connect.uk.com
www.in2connect.uk.com

TW Switches



IN2CONNECT
 ELECTRONIC CONNECTORS

Standards / Agency / Ratings



Patent # 6,965,085

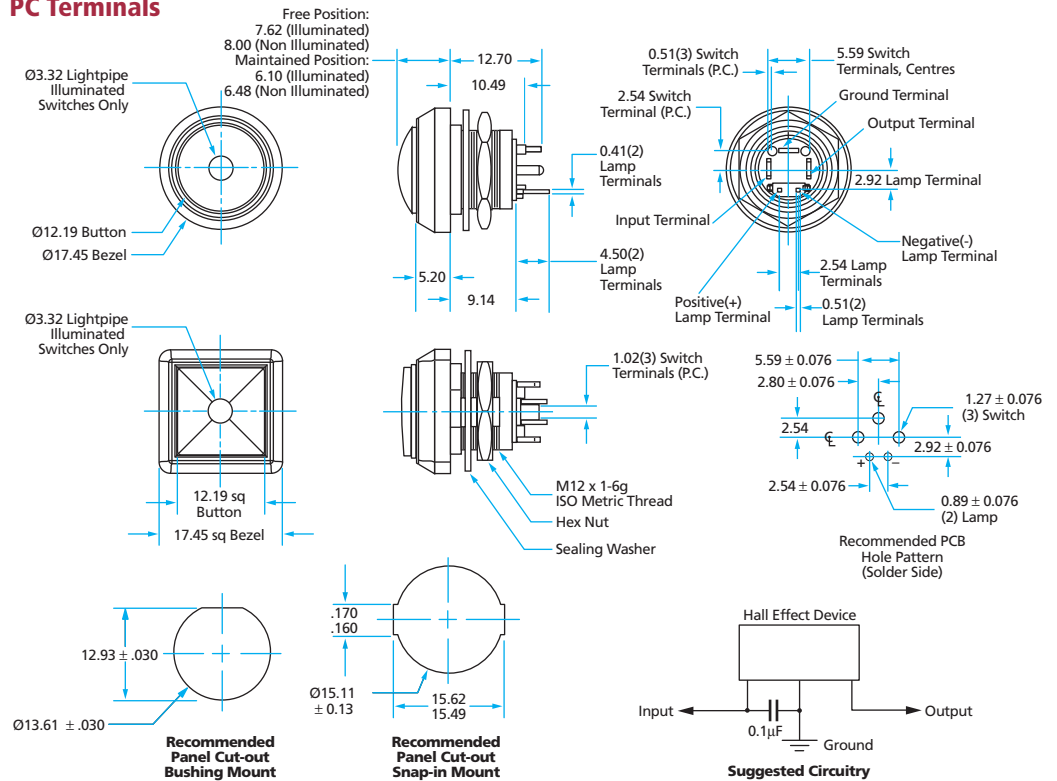
Series 48 ss

Miniature Hall-Effect Sealed Pushbutton

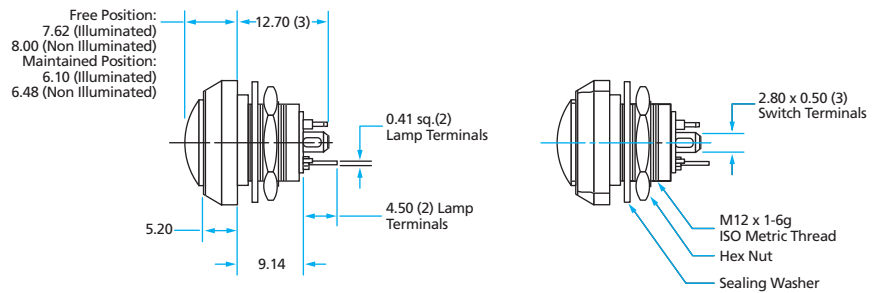
Mechanical/Electrical Characteristics:

- **Circuit**
SPST-NO
- **Button travel (nominal)**
2.3mm
- **Life (mechanical):**
1,000,000 cycles a max (momentary)
100,000 cycles max (maintained)
- **Operating force (nominal)**
3N/306g
- **Contact bounce (nominal)**
1 ms
- **Panel thickness**
0.5-3mm
- **Temperature (operating)**
-40°C to + 85°C
- **Supply voltage**
4.2V to 24V, 26.5V Max.
- **Supply current**
B<Brp, Vcc=12V:
3mA Typ. To 8mA Max.
B>Bop, Vcc=12V:
4mA Typ. To 8mA Max
- **Output current**
30 to 50 mA
- **Reverse battery voltage**
-30V Max.
- **Reverse battery current**
-50mA
- **Torque (max) (Fixing Nut)**
1-2 Newton Metre

PC Terminals



Solder Tab Terminals



Ordering Information

Switch Function	Switch Termination	Module Type	Bezel Type	LED Colour	Button Colour	Mounting Type
Momentary	Solder Tabs	48-3	RB - Round, Black	N - None	RD - Red	B - Bushing
Maintained	Solder Tabs	48-4	SB - Square, Black	R - Red	GR - Green	S - Snap Fit
Momentary	PC	48-7	RC, Round Chrome	G - Green	BK - Black	
Maintained	PC	48-8	SC, Square Chrome	Y - Yellow	BL - Blue	
				A - Amber	Y - Yellow	
				B - Blue	OR - Orange	
				W - White	CR - Chrome	
					WH - White	

48-X
-XX
-X
-XX
-X

ITW Switches

ITW Switches Limited
 Norway Road, Portsmouth, Hampshire PO3 5HT United Kingdom
 Tel: 023 9265 6200 Fax: 023 9266 6352
 Email: info@itwswitches.co.uk
www.itwswitches.co.uk