

M12

Hermetic Connectors



Compact robust design,
hermetically sealed in stainless steel
shells for corrosion resistance

In2Connect UK Ltd
Home Farm
Petersfield Rd
Ropley
Alresford
Hampshire
SO24 0EF
UK

Tel: UK 01962 773004 | Fax: UK 01962 600034

www.in2connect.uk.com

Skype Name "In2Connect" | sales@in2connect.uk.com

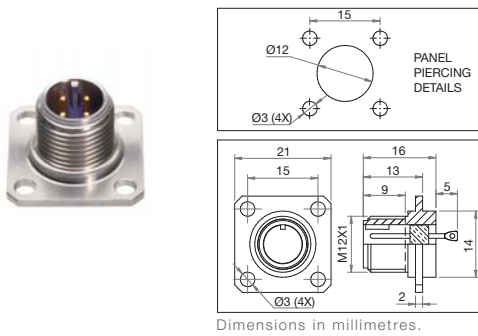
M-M12

Connector Specifications

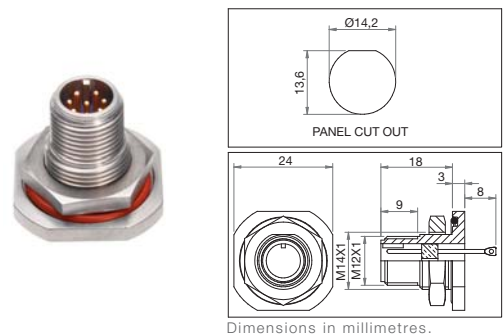
These connectors are miniature threaded, hermetically sealed connectors that are designed to meet and exceed the mechanical and environmental requirements IEC-61076-2-101 with fixed pin contacts, fused into a glass dielectric insert. These connectors are available as receptacle with eyelet, solder bucket and/or pcb contacts.

Receptacle Types

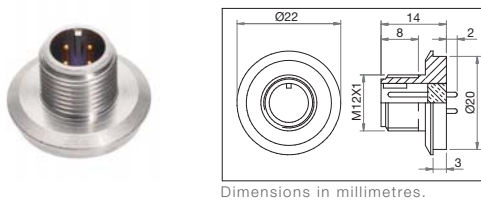
Square Flange



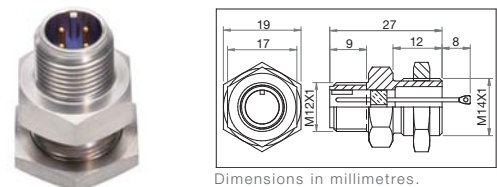
Jam Nut



Round Flange

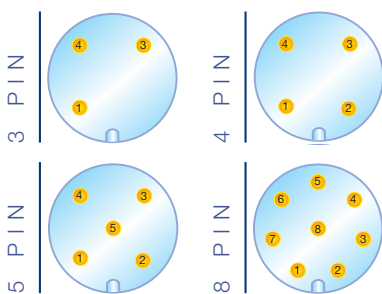


Through Flange



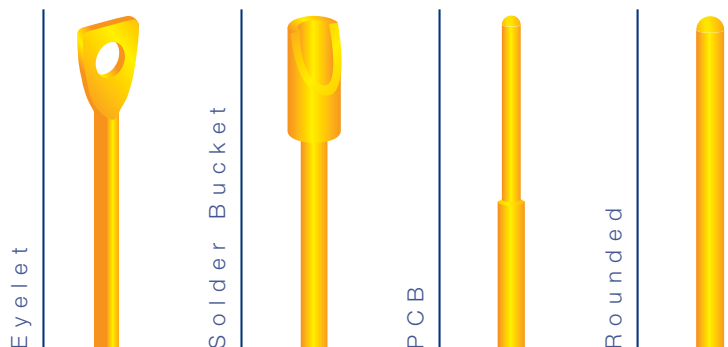
The shell mounting configuration for the Square Flange and Jam Nut is interchangeable with that of MIL-DTL-26482, shell size 8.

Inserts



Other inserts available by request.

Contact Terminals





Custom Specific Requirements

Martec has the facilities to design and manufacture special hermetic connectors based on the M12 range and other connector specifications, to meet customers' stringent individual requirements for environmental, mechanical and mounting conditions. All Martec M-M12 connectors are designed to exceed IP68 in an unmated state. These connectors have a wide variety of applications and can be found in most industry sectors, such as transport and instrumentation, for use with proximity switches, sensors and interconnection in harsh environmental conditions.



Construction

Standard Hermetic connectors are sealed by fusing a single piece glass insert into a machined Stainless Steel Shell. The pin contacts are permanently fused into the insert. To maintain thermal compatibility with the glass insert, the contacts are manufactured from a nickel alloy. The protective plating on the pin contacts is electro-deposited gold over nickel. The Jam Nut is supplied with a fluorosilicone rubber o-ring for panel sealing. All Martec M-M12 hermetic connectors are RoSH compliant.

Technical Specification

Mechanical	Electrical	Hermeticity	Pressure
Shell: Stainless Steel	Insulation Resistance: 100MΩ @ 500VDC	Leakage rate of less than 1 x 10 ⁻⁸ cc/sec at one atmosphere pressure differential.	The standard hermetic connector is not designed as a pressure resistant connector even though the inserts are capable of withstanding high pressure differentials. For specific pressure critical applications please consult us.
Insulator: Glass	Contact Rating: #20, 2 amps per contact.		
Contacts: Nickel alloy			
Contact Plating: Gold over Nickel			

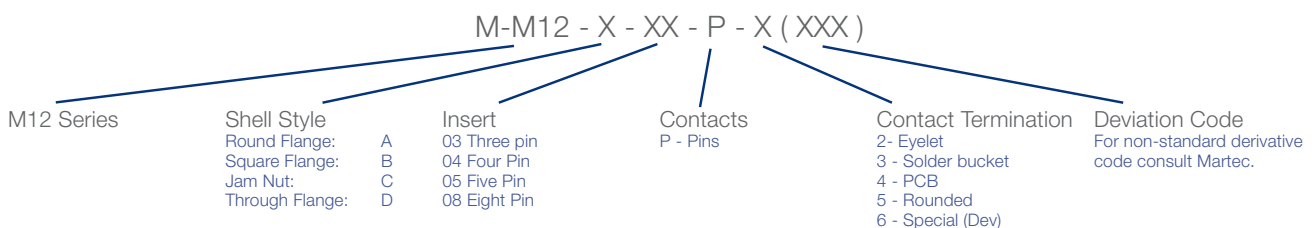
Temperature Tolerance : -55°C to +175°C. Higher temperature material options are available.

Call To Order + 44(0) 1227 793733

We have experienced personnel ready to help you with your enquiries and every aspect of your order details.

How To Order Martec Connectors

To obtain the specific connector required compile and quote a unique number from the illustration below.



For specials, contact us and we can discuss your specific requirement, defining a part with a specific derivative code "XXX"