

Series 58M-SS

22MM FULLY SEALED METAL PUSHBUTTON WITH WIRE LEADS

Built on the proven series 48 platform these rugged switches come in stainless steel or aluminum housings, solid state with either momentary or maintained action and lighted or unlighted versions. The variety of options in this compact package size make the 58M ideal for many applications: transportation, outdoor controls, security products, food processing and medical products.

APPLICATIONS

- Outdoor Controls
- Kiosks
- Security Equipment
- Medical Equipment
- Food Processing Equipment
- Military Equipment
- Industrial Machinery
- Transportation: Mass-Transit, Lift Trucks



ACTUAL SIZE

KEY FEATURES:

- Momentary or Maintained Action
- Stainless Steel or Aluminum Housing
- Non Lit or Ring Illumination
- Variety of LED colors
- Solid State
- Panel Sealed to IP67
- ROHS Compliant
- Gold Plated Contacts

ORDERING INFORMATION:

| SWITCH FUNCTION: | HOUSING MATERIAL: | ILLUMINATION: | LED COLOR: | VOLTAGE RESISTOR |
|---|---------------------------|-----------------------------|-------------------------|-----------------------|
| C. SOLID STATE, , MOMENTARY, WIRE LEADS | 1. STAINLESS STEEL | 0. NON-LIT | N. NONE | IF BLANK * |
| D. SOLID STATE, , MAINTAINED, WIRE LEADS | 2. ALUMINUM | 2. RING ILLUMINATION | G. GREEN | 05 5V FORWARD |
| | | R. RED, NON-LIT | R. RED | 12 12V FORWARD |
| | | | B. BLUE | 24 24V FORWARD |
| | | | W. WHITE | |
| | | | RB. RED / BLUE | |
| | | | RG. RED / GREEN | |
| | | | BG. BLUE / GREEN | |

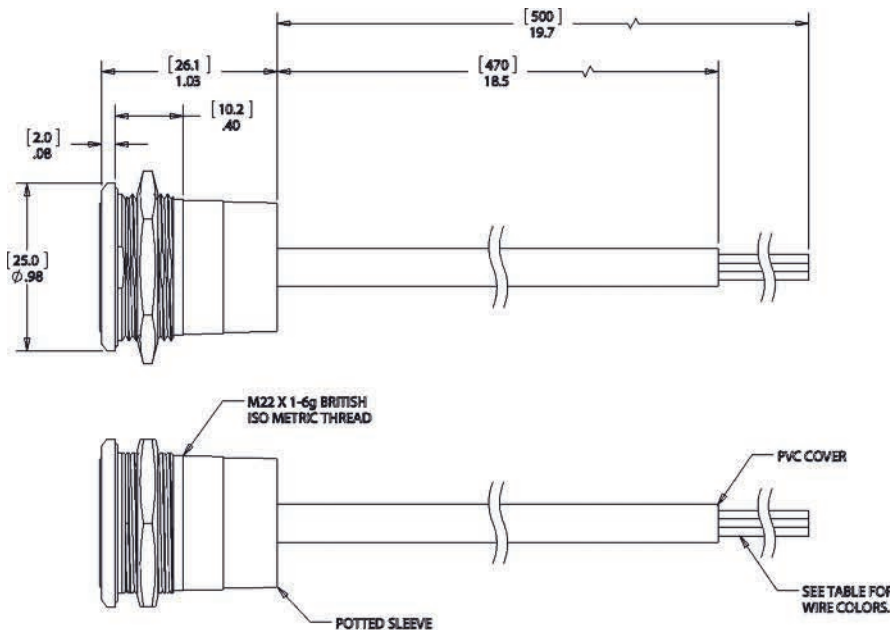
58M-

* Current limiting resistor is required to limit LED forward current to 20 mA (not included).

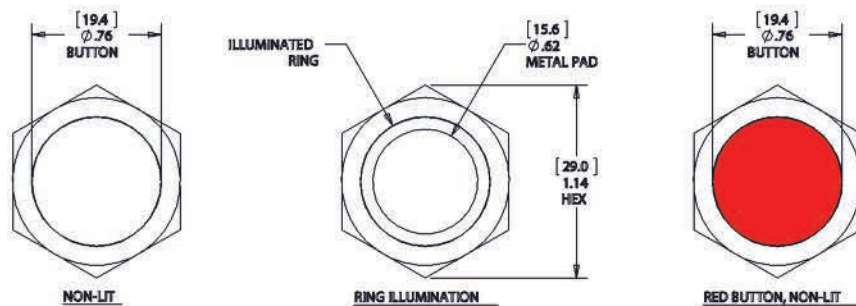
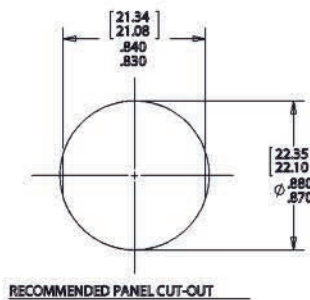
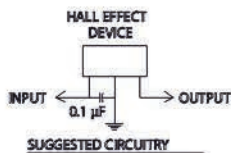
STANDARDS / AGENCY / RATINGS:



PRODUCT DRAWINGS



| WIRE INSULATION COLORS | | | | | | | |
|------------------------|------------------|-------|-------|-------|-------|--------|-------|
| ILLUMINATION TYPE | SWITCH TERMINALS | | | LED 1 | | LED 2 | |
| | I | O | G | + | - | + | - |
| NON-LIT | BLUE | WHITE | GREEN | NONE | NONE | NONE | NONE |
| LED, SINGLE | BLUE | WHITE | GREEN | RED | BLACK | NONE | NONE |
| LED, DUAL | BLUE | WHITE | GREEN | RED | BLACK | YELLOW | BROWN |



[MILLIMETERS]
[INCHES]

MECHANICAL CHARACTERISTICS

CIRCUIT:
SPST-NO-DB (FORM X)

BUTTON TRAVEL (NOM):
[2.3] .09

OPERATING FORCE (NOM):
[3N] 306g

PANEL THICKNESS:
[0.5-4.5] .02-.18

NUT TORQUE (MAX):
[11.5 kgf/cm] 10 lb/in

HARDWARE:

BULK PACKAGED SEALING WASHER AND HEX NUT ARE INCLUDED.

ENVIRONMENTAL SPECIFICATIONS

ACTUATOR INGRESS PROTECTION:
IP67

OPERATING TEMPERATURE:
NON-LIT: [-40 C to +85 C]
-40 F to +185 F
ILLUMINATED: [-25 C to +85 C]
-13 F to +185 F

ELECTRICAL SPECIFICATIONS

SUPPLY VOLTAGE:
4.2V TO 24V, 26.5 MAX

SUPPLY CURRENT:
B<Brp, Vcc=12V: 3mA TYP to 8mA MAX
B>Bop, Vcc=12V: 4mA TYP to 8mA MAX

OUTPUT LOAD:
SINKING (I out MAX = 25mA)

REVERSE BATTERY VOLTAGE:
-30V MAX

REVERSE OUTPUT CURRENT:
-50mA MAX

SWITCH LIFE:
MOMENTARY: 1,000,000 CYCLES
MAINTAINED: 50,000 CYCLES

WIRE LEADS:
UL STYLE 1007
26 AWG, STRANDED