



Slimline backshells for LEMO M Series connectors

A range of backshells has been specially designed to fit to the LEMO M Series connectors where customers require the additional benefits of a separate backshell – n.b. the M Series has an integral backshell.

The design is shorter than standard MIL spec adaptors to complement space savings offered by the M Series. LEMO backshells are available in 3 primary models – straight, 45° and 90° – and are manufactured as standard from the same lightweight high strength aluminium as the M Series. Other materials are available on request.

The rear fixing channel is designed for metal tie-wraps or spring clips, depending upon customer's preference and a slotted option is available for termination of additional drain wires – note standard product is without slots. The connector interface is to the MIL 38999 Series III and IV shell sizes standard and a range of cable entry diameters are offered.

Part number structure is shown below (remember to add "M" to the end of the M Series connector part number for the correct interface).

Part number structure

Part number example	UKT.B1.M12.04.1ZN
UKT.B	
1	1 = straight, 2 = 45°, 3 = 90°
M12	Interface thread size - see table on reverse
04	Cable entry size - see table on reverse
1	Material (aluminium as standard)
ZN	Plating (black zinc-nickel as standard)
SL	Slot option - omit for no slots

Finish options

FINISH CODE	DESCRIPTION
B	CADMIUM OLIVE DRAB OVER ELECTROLESS NICKEL
C	ELECTROLESS NICKEL
CHP	ELECTROLESS NICKEL, HIGH PHOSPHOR
ZB	ZINC COBALT OLIVE DRAB OVER ELECTROLESS NICKEL
ZK	ZINC COBALT BLACK PASSIVATE OVER ELECTROLESS NICKEL
ZN	ZINC NICKEL BLACK PASSIVATE OVER ELECTROLESS NICKEL

LEMO (UK) Ltd
12 – 20 North Street
Worthing, West Sussex, BN11 1DU

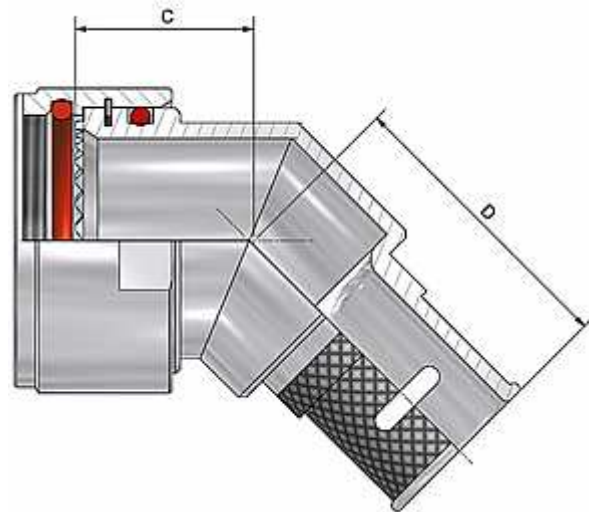
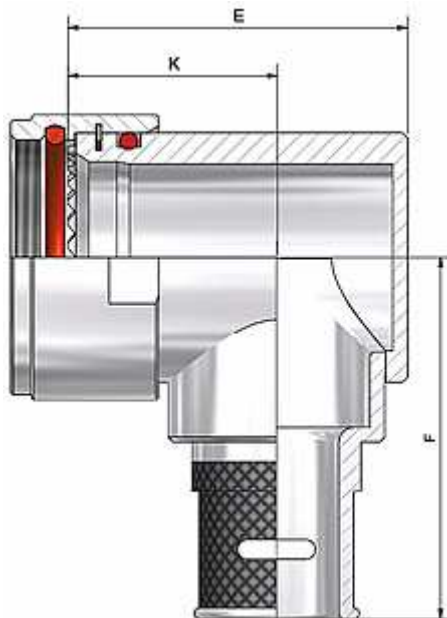
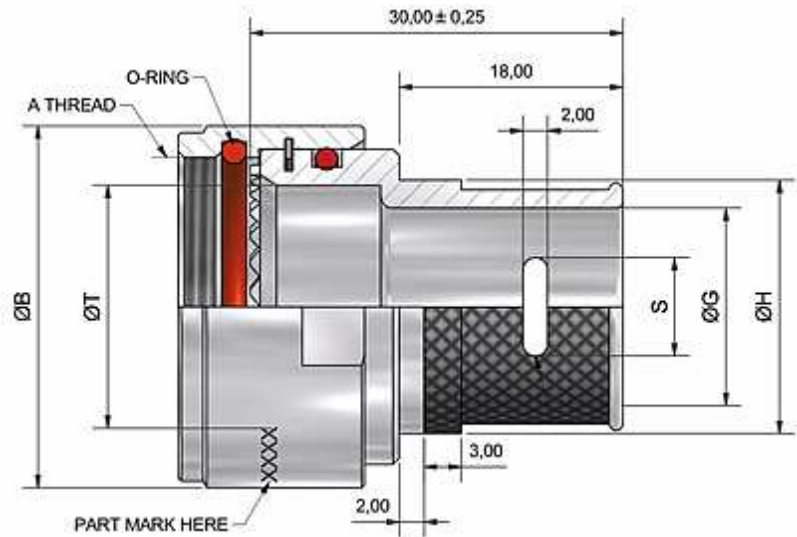
Tel: 01903 234543
Fax: 01903 206231
Email: uksales@lemo.com



Backshell adaptors for LEMO M Series connectors

Cable entry sizes

ENTRY SIZE	G MIN	H MAX	S $\pm 0,2$ 5	NUMBER OF SLOTS
3	4,7	9,2	2,8	1
4	6,3	10,8	4,2	1
5	7,9	12,4	6,2	1
6	9,5	13,9	7,9	1
7	11,1	15,5	7,9	1
8	12,7	17,2	7,9	2
10	15,8	20,3	7,9	2
12	19,0	23,5	7,9	2
14	22,2	26,7	7,9	3
16	25,4	29,9	7,9	3
18	28,6	33,1	7,9	3



SHELL SIZE	A THREAD	B MAX	T MIN	C $\pm 0,5$	D MAX	E MAX	F MAX	K $\pm 0,5$
1M	M12 x 1.0	15.4	6.7	14.5	25.7	23.5	30.5	15.5
2M	M15 x 1.0	18.6	10.2	15.0	26.9	26.5	32.2	17.5
3M	M18 x 1.0	21.8	13.5	15.5	27.3	30.5	33.7	19.5
TM	M18 x 1.0	21.8	13.5	15.5	27.3	30.5	33.7	19.5
4M	M22 x 1.0	25.3	16.2	16.0	28.2	33.5	35.2	21.0
LM	M25 x 1.0	29.1	19.4	17.0	29.0	34.5	36.9	21.2
5M	M31 x 1.0	35.0	25.1	18.0	30.1	44.5	40.1	26.0

LEMO (UK) Ltd
12 – 20 North Street
Worthing, West Sussex, BN11 1DU

Tel: 01903 234543
Fax: 01903 206231
Email: uksales@lemo.com

In2Connect UK Ltd
Tel: +44(0)1962 773004
Fax: +44(0)1962 600034
Sales@in2connect.uk.com



www.lemo.co.uk