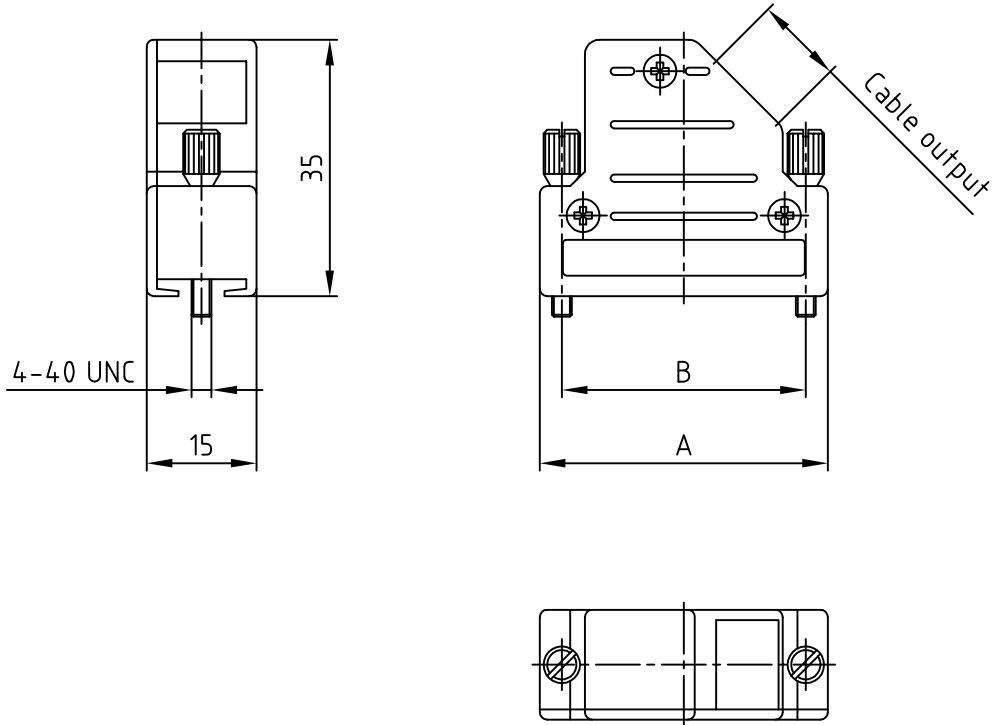


used for: D-SUB



(b)

No. of pos.	A	B	Part No: Bulk package	Part No: Single package
9	31.0	25.0	600X51309X	600X51309XE
15	39.3	33.3	600X51315X	600X51315XE
25	53.0	47.0	600X51325X	600X51325XE

Directive 2002/95/EC RoHS compliant

THIS DRAWING MAY NOT BE COPIED OR REPRODUCED IN ANY WAY, AND MAY NOT BE PASSED ON TO A THIRD PARTY WITHOUT WRITTEN PERMISSION.
OWNERSHIP AND COPYRIGHT OF CONEC GmbH
DO NOT ALTER CAD DRAWING BY HAND

tolerance				scale: 1:1	
2002	date	name		material: DIE-CAST	
drawn	30.01.	Parei		title:	
appd.	30.01.	E. Mickenbecker		METAL HOOD	
norm				9 - 25 pos., EMI/RFI shielding	
d-old				side cable exit, with jack screws	
1 x b	Ä3888	07.02.2011	K.H.	dwg no:	AutoCAD 2000
a	Origin				DIN-A
rev.	description	date	name		4



part no: 16K1A469A
SEE TABLE

sh: 1/1